



JETRICH CANADA LTD: 3270 Orlando Dr., Mississauga, Ontario, L4V 1C6, CANADA

Thank you for purchasing the Chris & Chris Chef series kitchen work station.

With proper assembly, maintenance, and cleaning, your work station will give you many years of service.

NOTE: IF THERE ARE ANY PARTS MISSING; OR THERE IS SLIGHT SHIPPING DAMAGE TO YOUR UNIT, DO NOT RETURN TO THE STORE. PLEASE CONTACT OUR CUSTOMER SERVICE DEPT. FOR HELP, OR VISIT OUR WEBSITE FOR FURTHER INFORMATION.

CUSTOMER SERVICE: TOLL FREE NUMBER: 1-800-569-4201

E-MAIL: customerservice@chrisandchrishome.com

WEBSITE: chrisandchrishome.com

Tools needed: Phillips Head Screw driver

ASSEMBLY TIPS: JET7751 / JET7752 / JET7753 CHEF SERIES WORK STATION

- Unpack all parts carefully and inspect
- Cover work surface with soft blanket or similar substance so as not to damage the unit or the work surface.
- Remove any parts that may be packed in the drawers

Step 1

- Lay top panel Assembly (C) upside down on stable surface.
- Attach the 4 legs (B) to top assembly (C) making sure that they are positioned in the correct locations.(LB) left back (RB) right back (LF) left front and (RF) right front. Using barrel bolts (YL) and barrel nuts (BN) on the front legs, and short bolts (M) and washers (ZA) on the back legs. **DO NOT TIGHTEN AT THIS TIME.**
- **Note: you will need to extend the drawers to accomplish the above.**
- Attach the upper shelf (A) to the legs with small bolts (SM) using the holes nearest the top frame (C). Do not tighten at this time
- Attach the lower shelf (A) to the legs with small bolts (SM) using the holes nearest bottom of the legs. **Tighten all bolts at this time.**

Step 2

Install the brake wheels (BW) to the front legs and the standard wheels (W) to the back legs
Slide the small end of the 4 “S” hooks (K) over the towel bar (F) NOTE: The smaller end of the “S” hooks should be over the bar so they cannot be removed after assembly.
Attach the towel bar (F) to the leg assembly using bolts (M). The drawer must be fully opened for this assembly. You may choose to assemble the towel bar (F) to either side. Cover the holes on the opposite side from the towel bar with wood plugs (WP).

Step 3

Turn cart right side up.

- Install the 2 drawer handles (J) to the drawer fronts using bolts (O) and a Phillips head screw driver Please note that drawer handles (J)and bolts (O) are currently installed on the inside of the drawer for shipment.
- Set speed rack (S) into the towel bar (F).

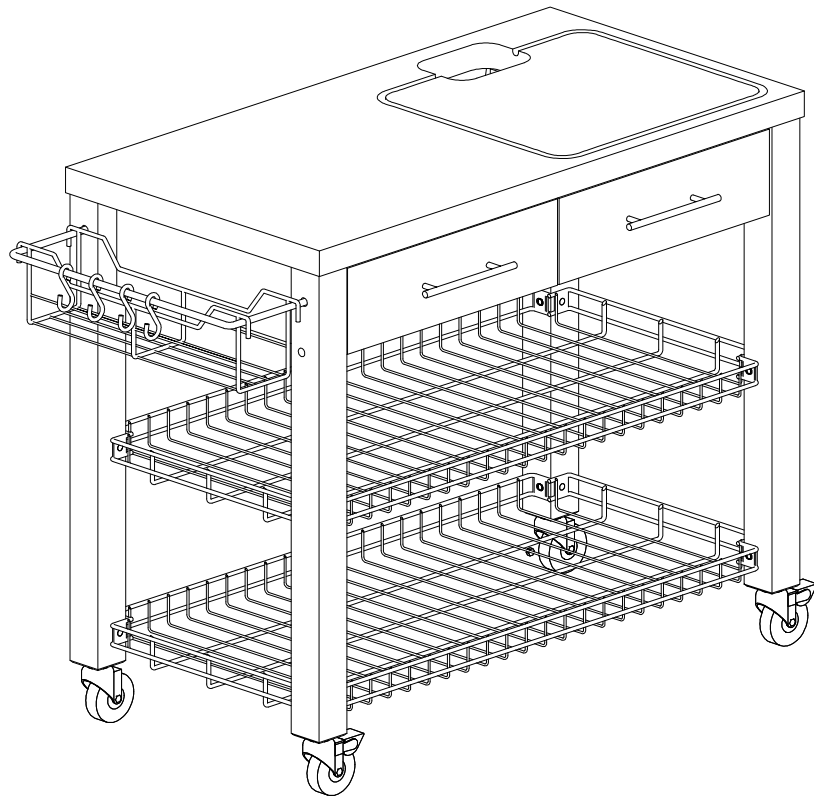
Step 4

- Insert chef pan (P) into opening in the back panel of top frame (C)
- Trash ring (L) can be substituted for Chef pan (P).
- Pull a plastic trash bag or common plastic grocery bag up through the middle of trash ring (L) and wrap around sides.
- Slide trash ring (L) into opening in back panel of top frame (C).

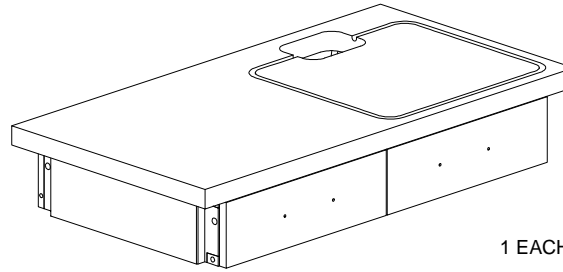
CONGRATULATIONS

Your Chef Work and Storage station is now ready for years of service.

**CHEF KITCHEN WORK STATION
JET 7751 / JET 7752 / JET 7753
ASSEMBLY INSTRUCTION**

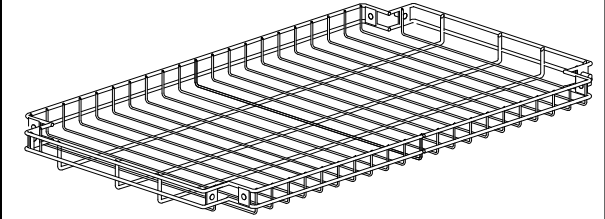


C. TOP ASSEMBLY



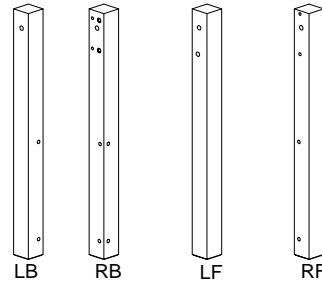
1 EACH

A. BASKET SHELF



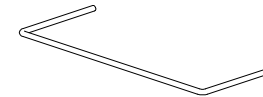
2 EACH

B. LEGS



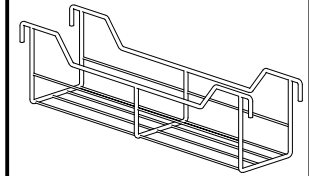
4 EACH

F. TOWER BAR



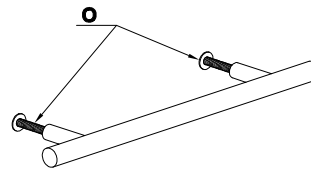
1 EACH

S. SPEED RACK



1 EACH

J. HANDLE



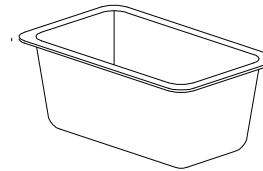
2 EACH

L. TRASH RING



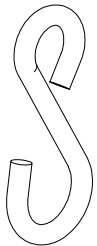
1 EACH

P. CHEF PAN



1 EACH

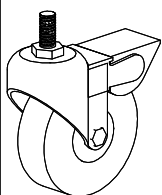
K. "S" HOOK



4 EACH

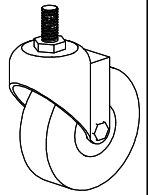
ASSEMBLY INSTRUCTION

BW. BRAKE WHEEL



2 EACH

W. WHEEL



2 EACH

YL. LONG BAREL BOLT



2 EACH

M. SHORT BOLT



6 EACH

SM. SMALL BOLT



16 EACH

BN. BAREL NUT



2 EACH

ZA. WASHER



6 EACH

Q. WRENCH



1 EACH

RM. ALLEN KEY



1 EACH

WP. WOOD PLUS



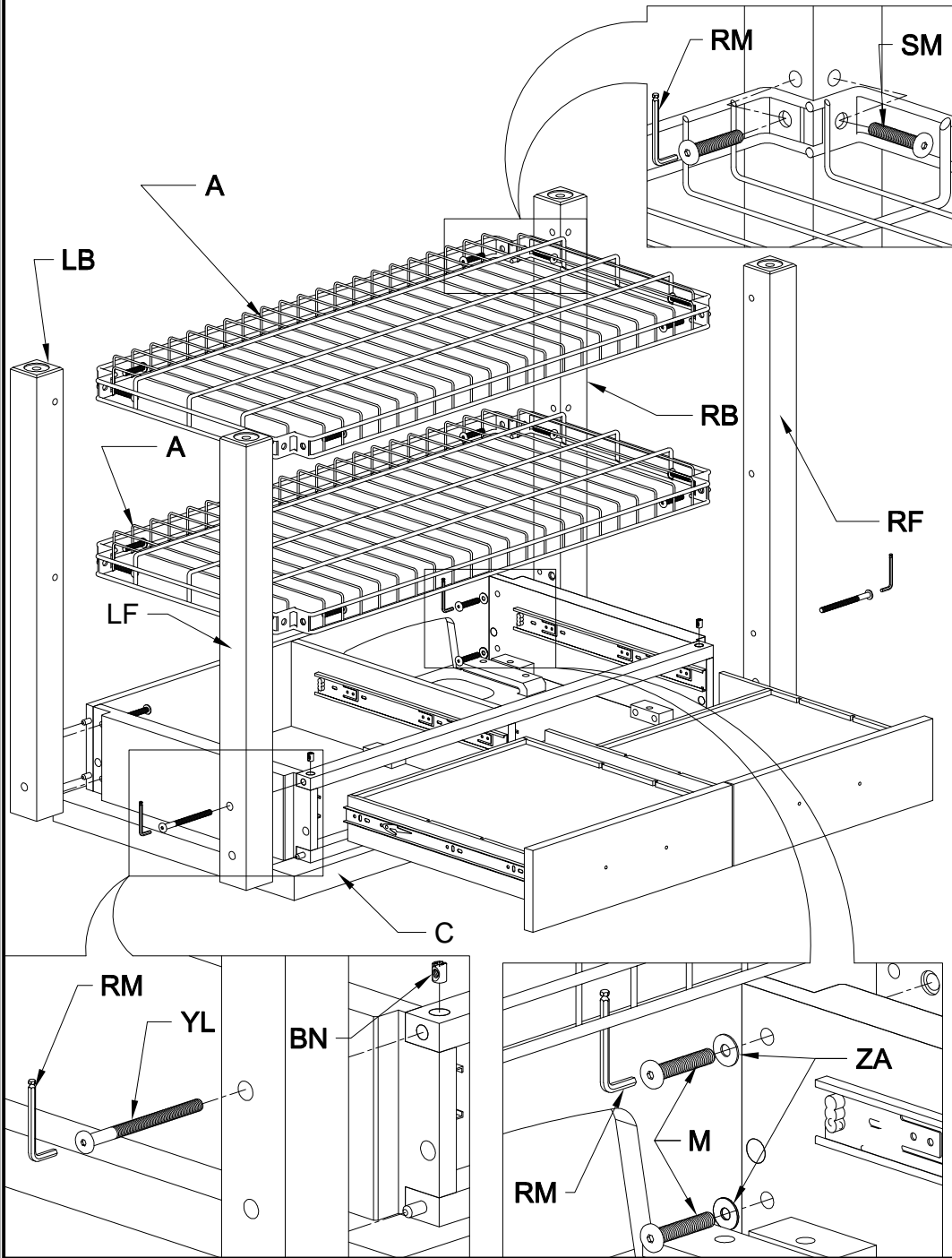
4 EACH

O. OIL



1 EACH

STEP 1



STEP 2

