

JETRICH CANADA LTD: 3270 Orlando Dr., Mississauga, Ontario, L4V 1C6, CANADA

Thank you for purchasing the Chris & Chris Chef series kitchen work station.

With proper assembly, maintenance, and cleaning, your work station will give you many years of service.

CHEF KITCHEN WORK STATION JET 1221

ASSEMBLY INSTRUCTION

Customer Service Email:
customerservice@chrisandchrishome.com

NOTE: IF THERE ARE ANY PARTS MISSING; OR THERE IS SLIGHT SHIPPING DAMAGE TO YOUR UNIT, DO NOT RETURN TO THE STORE, PLEASE CONTACT OUR CUSTOMER SERVICE DEPT. FOR HELP, OR VISIT OUR WEBSITE FOR FURTHER INFORMATION.

CUSTOMER SERVICE: TOLL FREE NUMBER : 1-800-569-420 1

E-MAIL: customerservice@chrisandchrishome.com

WEBSITE: www.chrisandchrishome.com

Tools needed: Phillips Head Screw driver

ASSEMBLY TIPS: **JET 1221 STADIUM WORK STATION**

- Unpack all parts carefully and inspect
- Cover work surface with soft blanket or similar substance so as not to damage the unit or the work surface.
- Remove any parts that may be packed in the drawers

Step 1

- Lay top panel Assembly (C) upside down on stable surface.
- Install leg frames (B) to the top assembly (C) using short bolts (N) and allen Key (RM) **NOTE: The side of the each leg that has the additional hole must be lined up with holes on each end of the cart. These holes are for the installation of the towel bar. Do not tighten at this time.** Leave approximately 1/8 inch exposed thread pattern so the shelves can be installed.
- Install the 2 brake wheels (K) using wheel wrench (Q) to the front side of the cart .
- Install 2 wheels (L) to the back side of the cart using wheel wrench (O).
- **NOTE:** bolts (U) and 2 nuts (XA) are cosmetic only and will be used in Step 3 .
- Install upper shelf (A) to leg frames (B) using bolts (N) and nuts (XA) Do not tighten. (Install the upper shelf first, remembering that the cart is upside down so for assembly this will be the lower of the 2, closest to the top frame (C).) Now install the lower shelf using bolts (N) and nut (XA). Use the holes closest to the wheels for this shelf. After both shelves are secured you can tighten all bolts and nuts from step 1 and.

Step 2

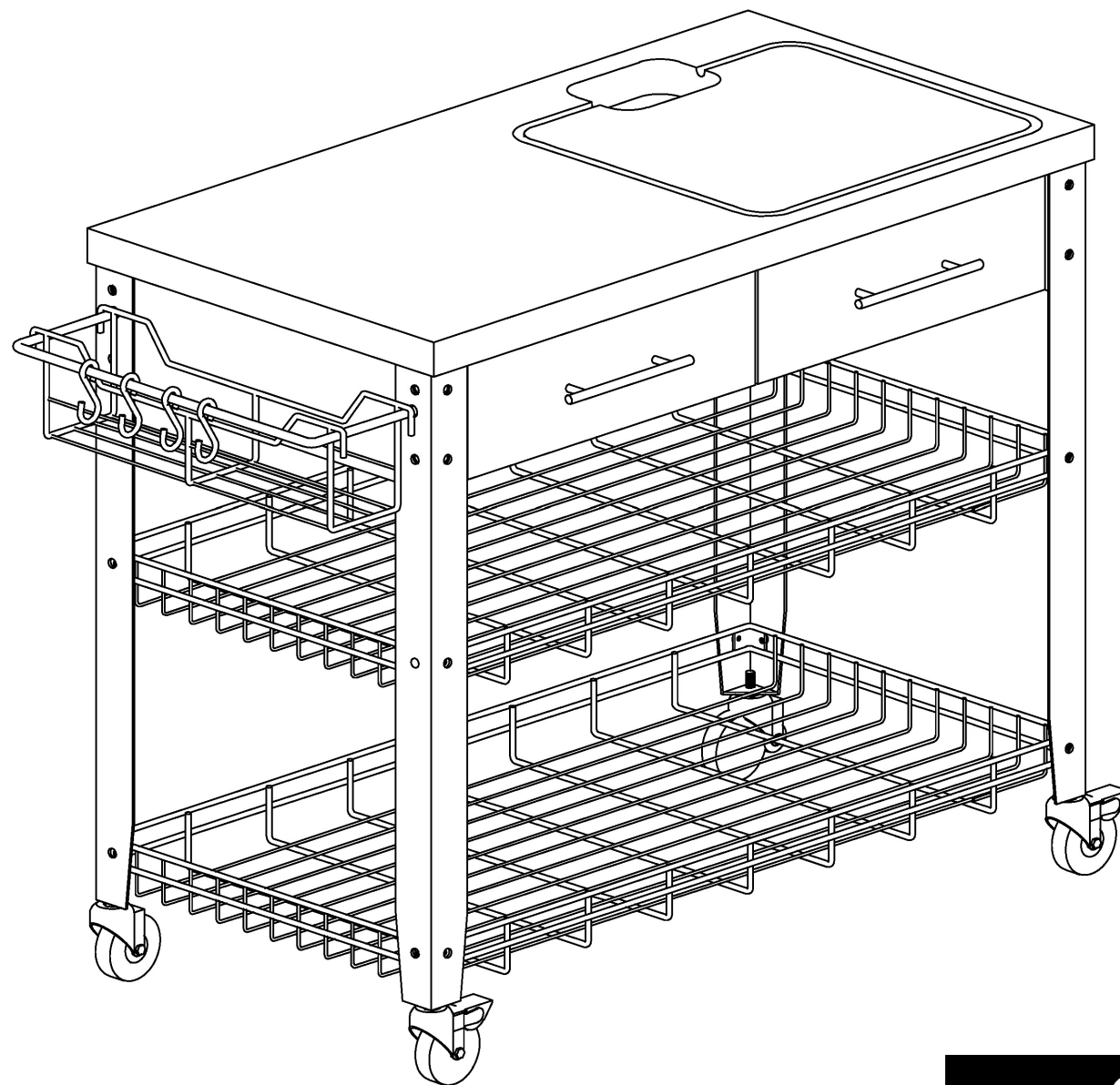
- Slide the small end of the 4 "S" hooks (K) over the towel bar (F) **NOTE:** The smaller end of the "S" hooks should be over the bar so they cannot be removed after assembly.
- Attach the towel bar (F) to the top assembly (C) using bolts (M), the drawer must be fully opened for this assembly. You may choose to assemble the towel bar (F) to either side. Cover the holes on the opposite side from the towel bar with bolts (U) and Nuts (XA) from step 1 .
- Install the 2 drawer handles (J) to the drawer fronts using bolts (O) and a Phillips head screw driver. Please note that drawer handles (M and bolts (O) are currently installed on the inside of the drawer for shipment.

Step 3

- Set speed rack (S) into the towel bar (F).
- Insert chef pan (P) into opening in the back panel of top frame (C)
- Trash ring (L) can be substituted for Chef pan (P).
- Pull a plastic trash bag or common plastic grocery bag up through the middle of trash ring (L) and wrap around sides.
- Slide trash ring (L) with bag into opening in back panel of top frame (C).

CONGRATULATIONS

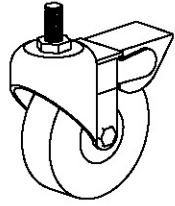
Your Chef Work and Storage station is now ready for years of service.



**Chris
&
Chris**
Form & Function for Your Kitchen

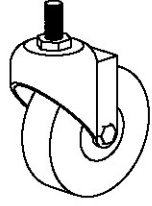
Hardware Identification

BW.BRAKE WHEEL



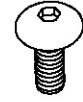
2-EACH

B.WHEEL



2-EACH

N.SHORT BOLT



32-EACH

M.BOLT JCB



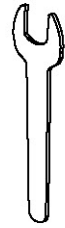
2-EACH

RM.ALLEN KEY



1-EACH

Q.BIG WRENCH



1-EACH

QS.SMALL WRENCH



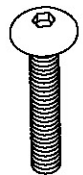
1-EACH

XA.NUT



18-EACH

U.LONG BOLT



2-EACH

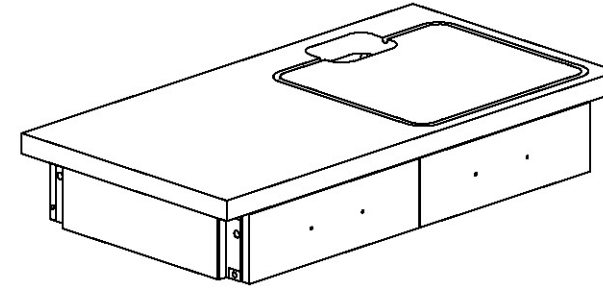
O.OIL



1-EACH

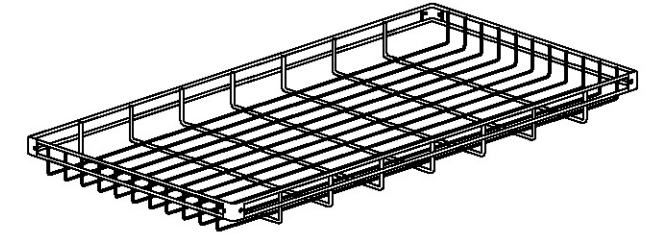
Part Identification

C.TOP ASSEMBLY



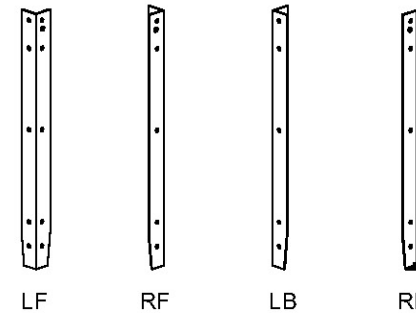
1-EACH

A.BASKET SHELF



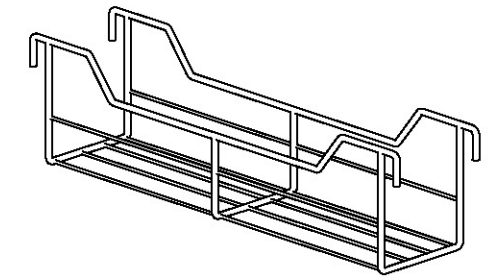
2-EACH

B.LEGS



4-EACH

S.SPEED RACK



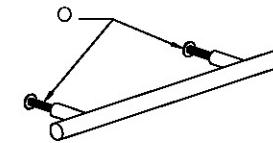
1-EACH

F.TOWER BAR



1-EACH

J.HANDLE



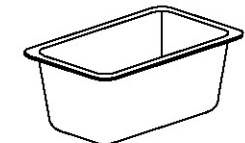
2-EACH

L.TRASH RING



1-EACH

P.CHEF PAN



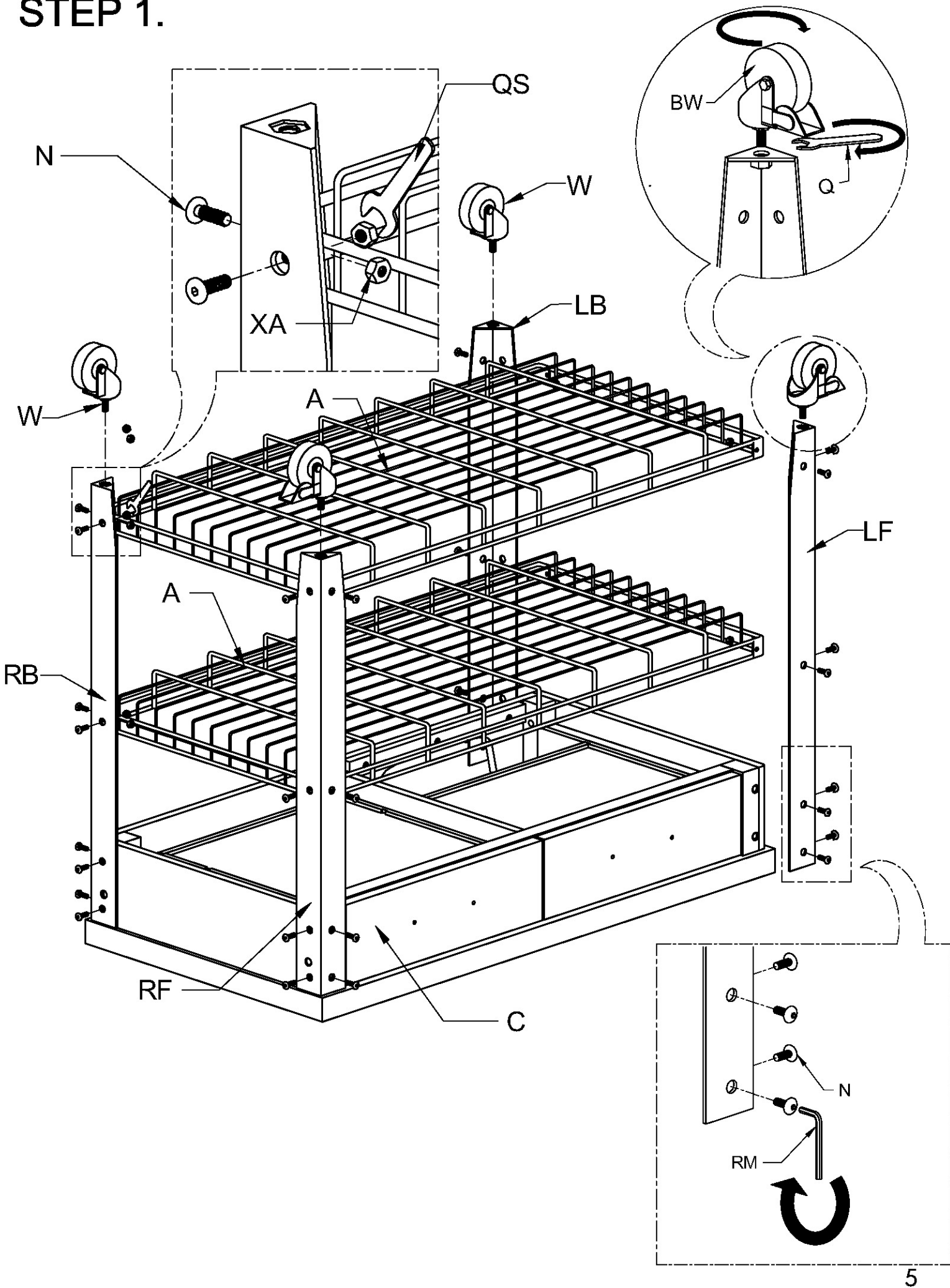
1-EACH

K. "S" HOOK

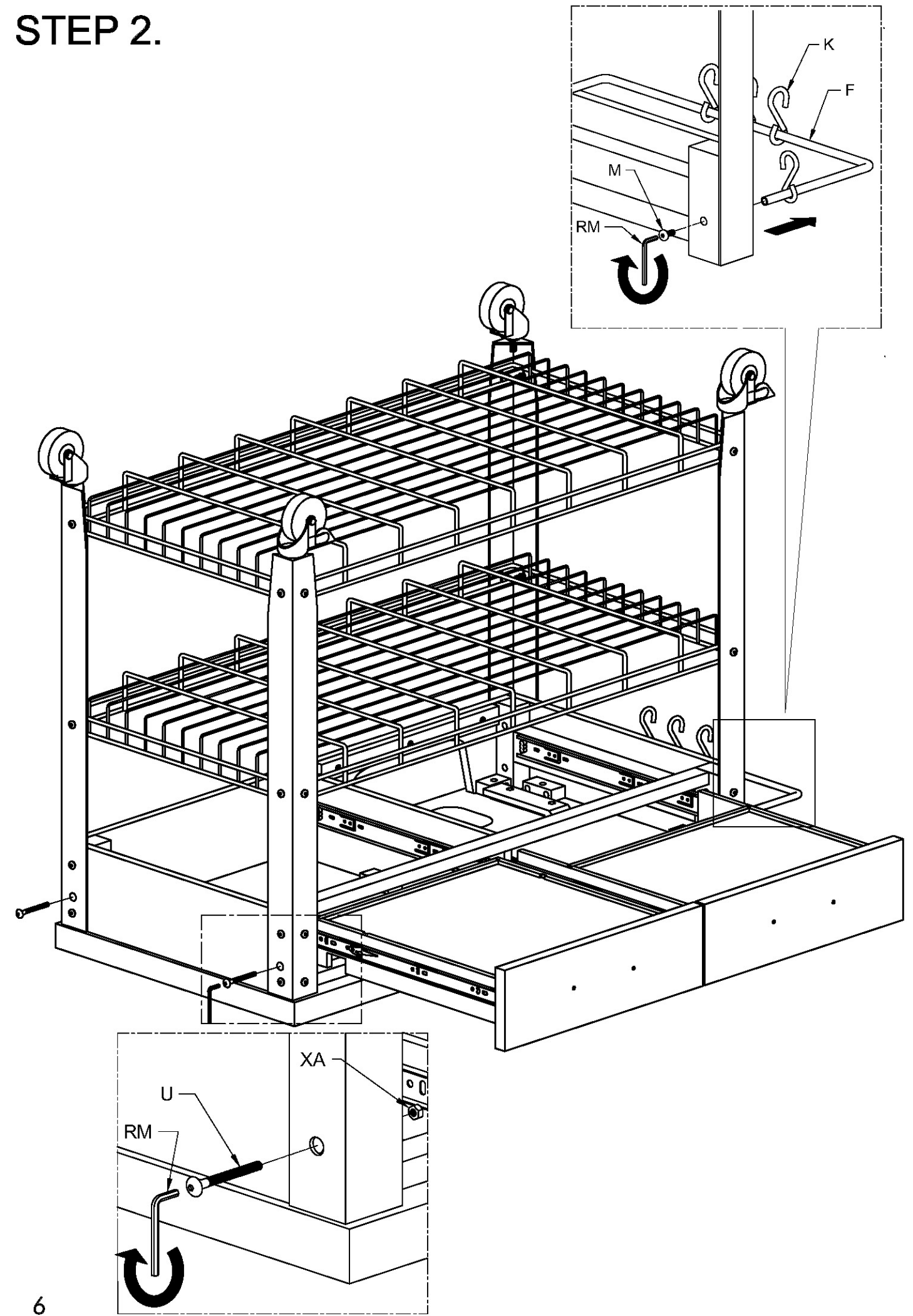


4-EACH

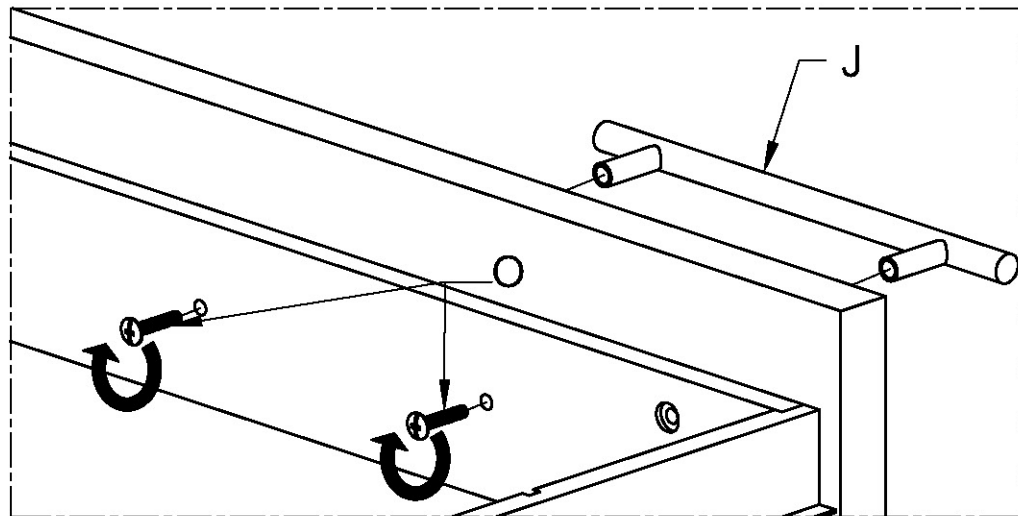
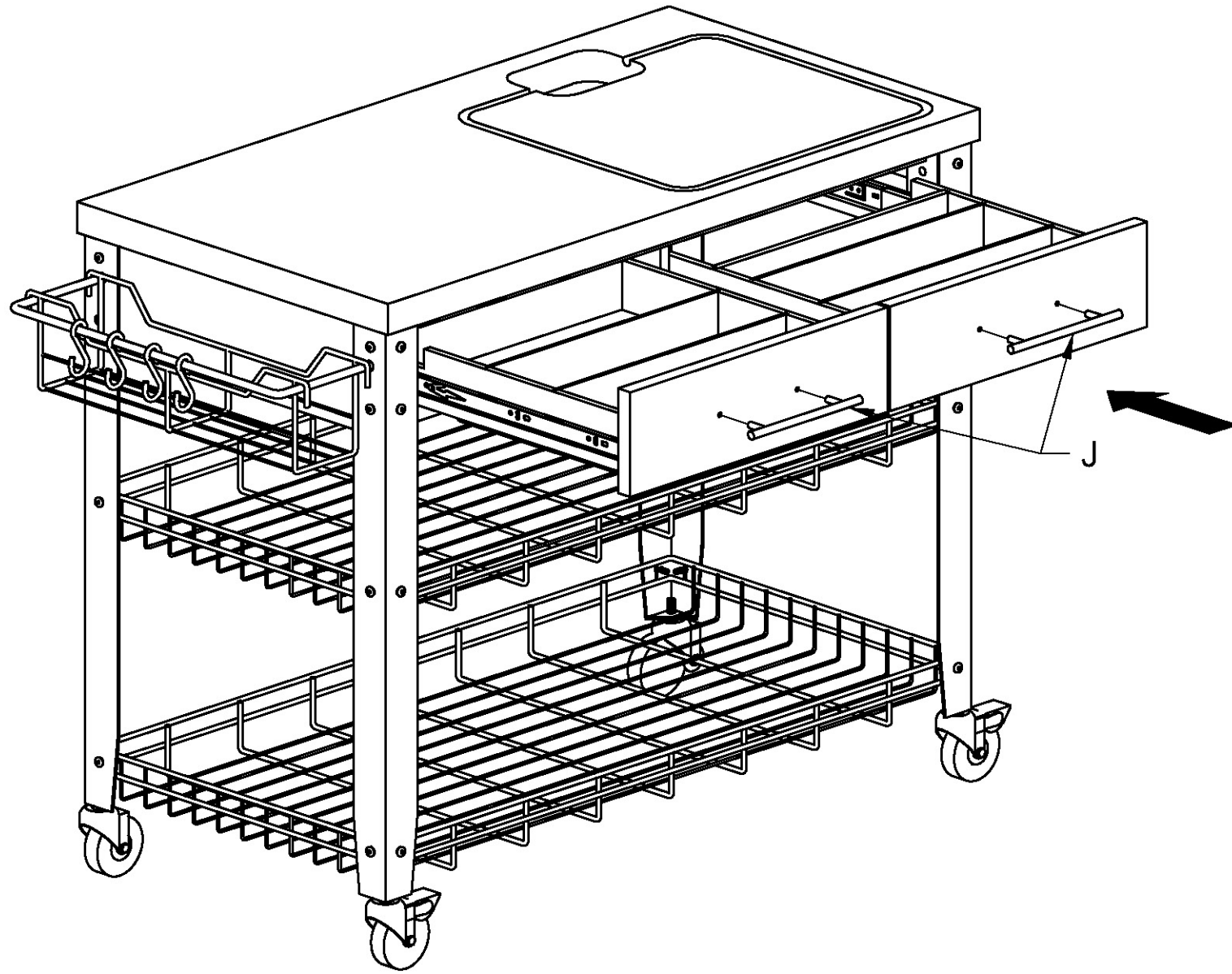
STEP 1.



STEP 2.



STEP 3.



STEP 4.

