



JETRICH CANADA LTD: 3270 Orlando Dr., Mississauga, Ontario, L4V 1C6, CANADA

Thank you for purchasing the Chris & Chris Chef series kitchen work station.

With proper assembly, maintenance, and cleaning, your work station will give you many years of service.

NOTE: IF THERE ARE ANY PARTS MISSING; OR THERE IS SLIGHT SHIPPING DAMAGE TO YOUR UNIT, DO NOT RETURN TO THE STORE. PLEASE CONTACT OUR CUSTOMER SERVICE DEPT. FOR HELP, OR VISIT OUR WEBSITE FOR FURTHER INFORMATION.

CUSTOMER SERVICE: TOLL FREE NUMBER: 1-800-569-4201

E-MAIL: customerservice@chrisandchrishome.com

WEBSITE: chrisandchrishome.com

Tools needed: Phillips Head Screw driver

ASSEMBLY TIPS: JET7748 / 7749 / 7750 CHEF SERIES WORK STATION

- Unpack all parts carefully and inspect
- Cover work surface with soft blanket or similar substance so as not to damage the unit or the work surface.
- Remove any parts that may be packed in the drawers

Step 1

- Lay top panel Assembly (C) upside down on stable surface.
- Assemble the right front leg (RF) and right back leg (RB) together with 2 (E) shelf frame pieces. Just push together, no fasteners are needed for this step.

Step 2

- Repeat with the left side

Step 3

Now install the **left or right side** leg frame to top frame (C) Install only one side

Install upper shelf (A) to leg frames using barrel bolts (YL) and barrel nuts(BN) Install the upper shelf first, remembering that the cart is upside down so for assembly this will be the lower of the 2,closest to the top frame (C.)

- Now install the lower shelf using bolts (YL) and nuts (BN) Use the holes closet to the wheels for this shelf.
- Install the remaining leg frame assembly to the opposite side lining up all of the dowels on the top frame (C) and shelves (A)
- Use barrel bolts (YL) and barrel nuts (BN) as before. Slide drawers out to facilitate this assembly

Step 4

Slide the small end of the 4 “S” hooks (K) over the towel bar (F) NOTE: The smaller end of the “S” hooks should be over the bar so they cannot be removed after assembly.

Attach the towel bar (F) to the leg assembly using bolts (M). The drawer must be fully opened for this assembly. You may choose to assemble the towel bar (F) to either side. Cover the holes on the opposite side from the towel bar with wood plugs (WP)

Install the 2 brake wheels (BW) on the front 2 legs and 2 wheels (W) on the back 2 legs. Turn the Unit upright

Step 5

- Install the 2 drawer handles (J) to the drawer fronts using bolts (O) and a Phillips head screw driver Please note that drawer handles (J)and bolts (O) are currently installed on the inside of the drawer for shipment.
- Set speed rack (S) into the towel bar (F).

Step 6

- Insert chef pan (P) into opening in the back panel of top frame (C)
- Trash ring (L) can be substituted for Chef pan(P).
- Pull a plastic trash bag or common plastic grocery bag up through the middle of trash ring (L) and wrap around sides.
- Slide trash ring (L) into opening in back panel of top frame (C).

CONGRATULATIONS

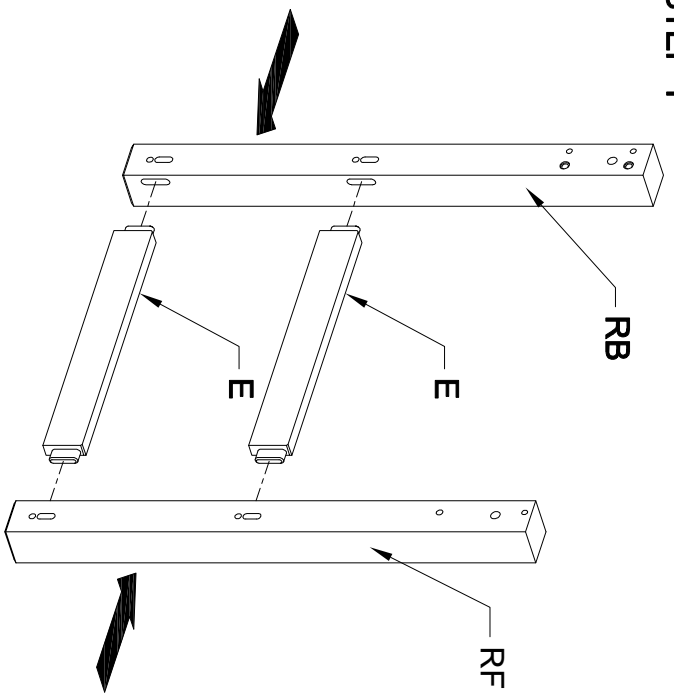
Your Chef Work and Storage station is now ready for years of service.

**CHEF KITCHEN WORK STATION
JET 7748 / JET 7749 / JET 7750**

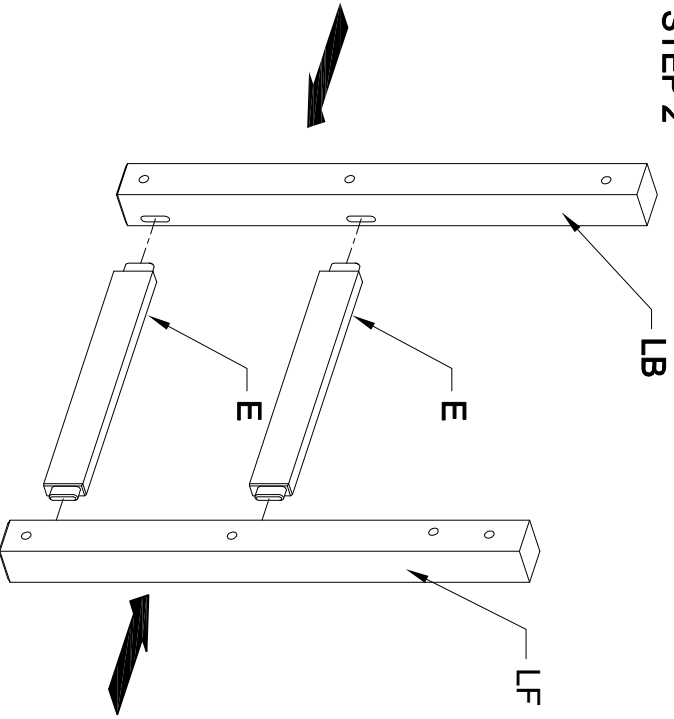
DIMENSIONS



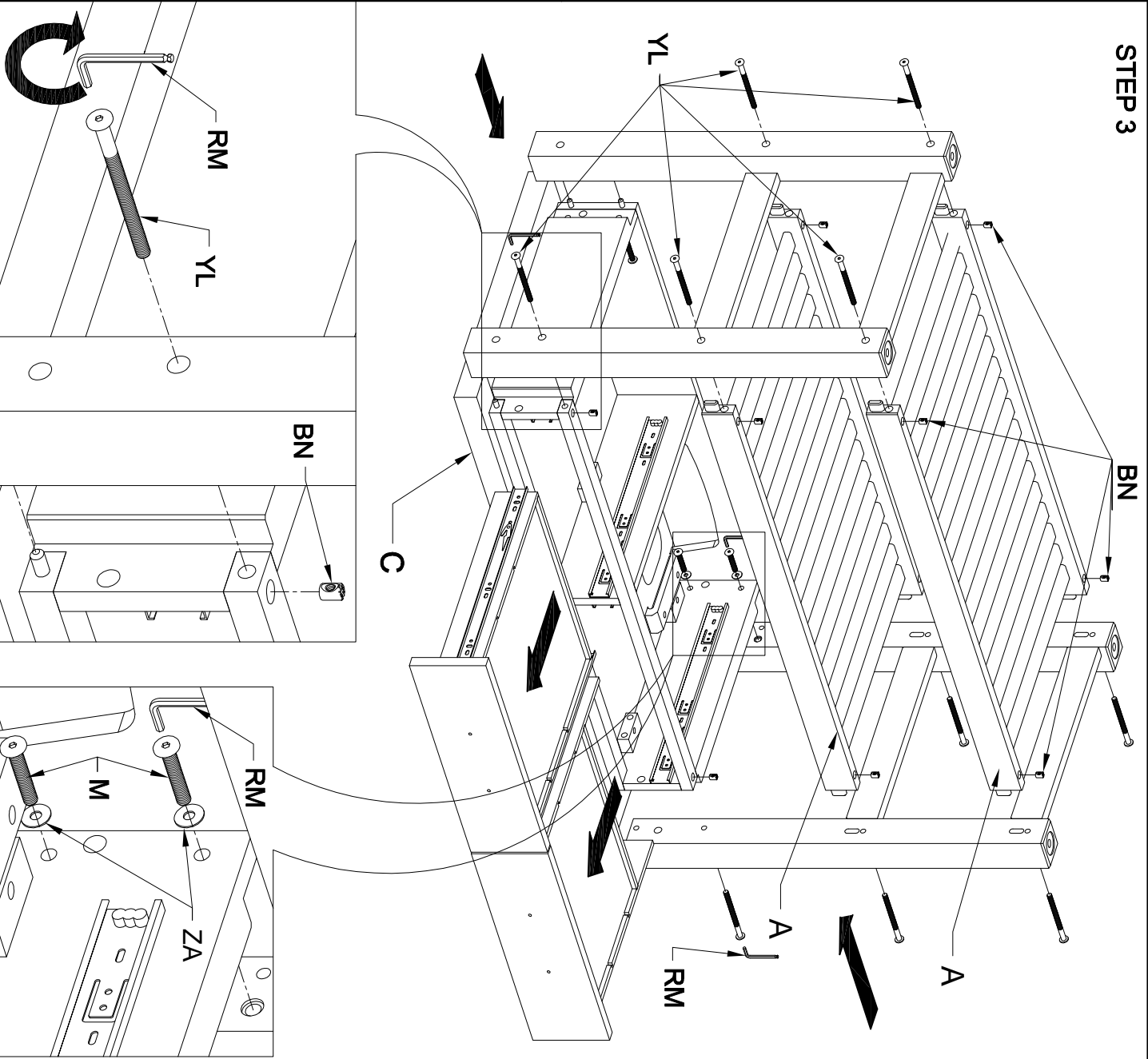
STEP 1



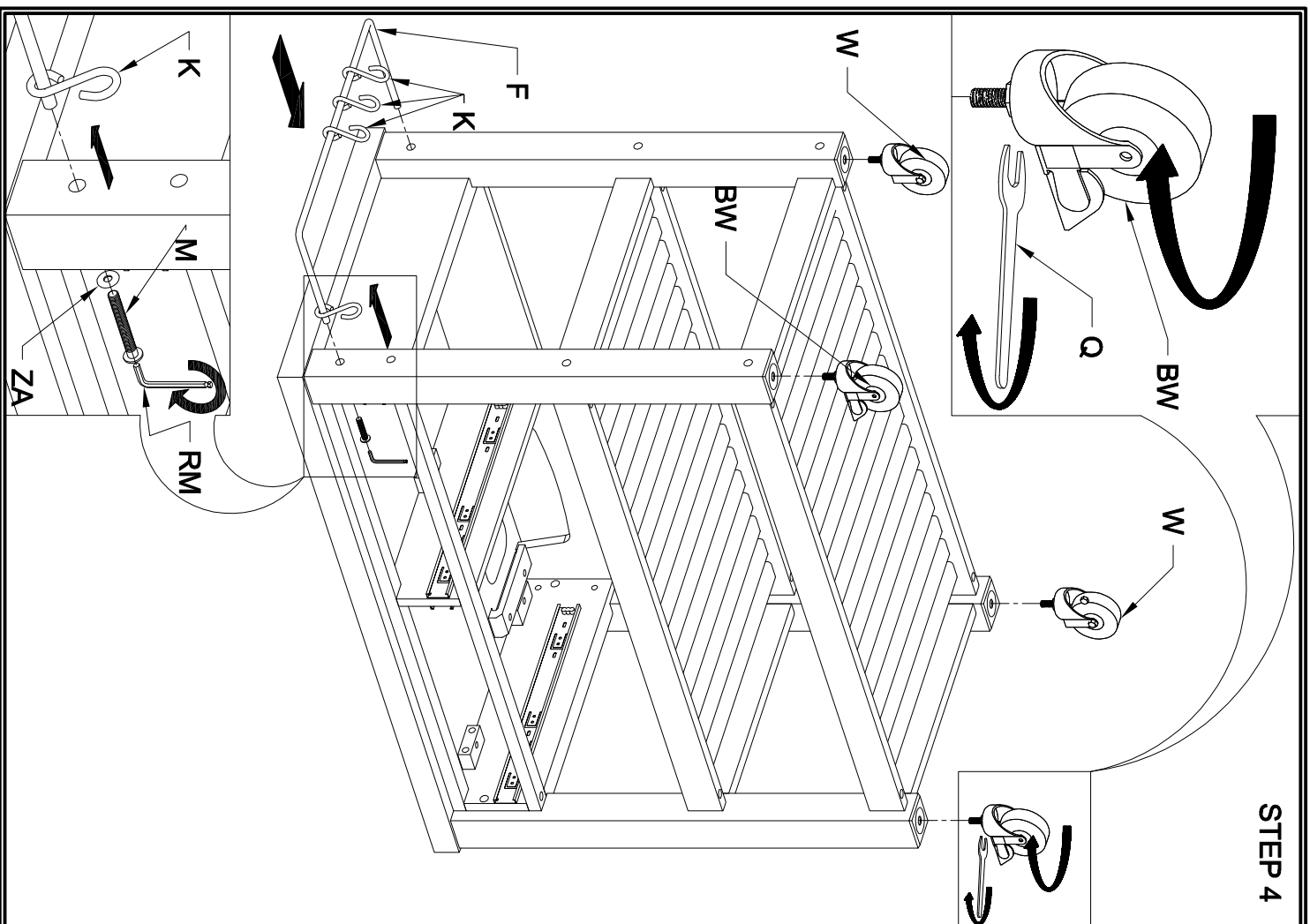
STEP 2



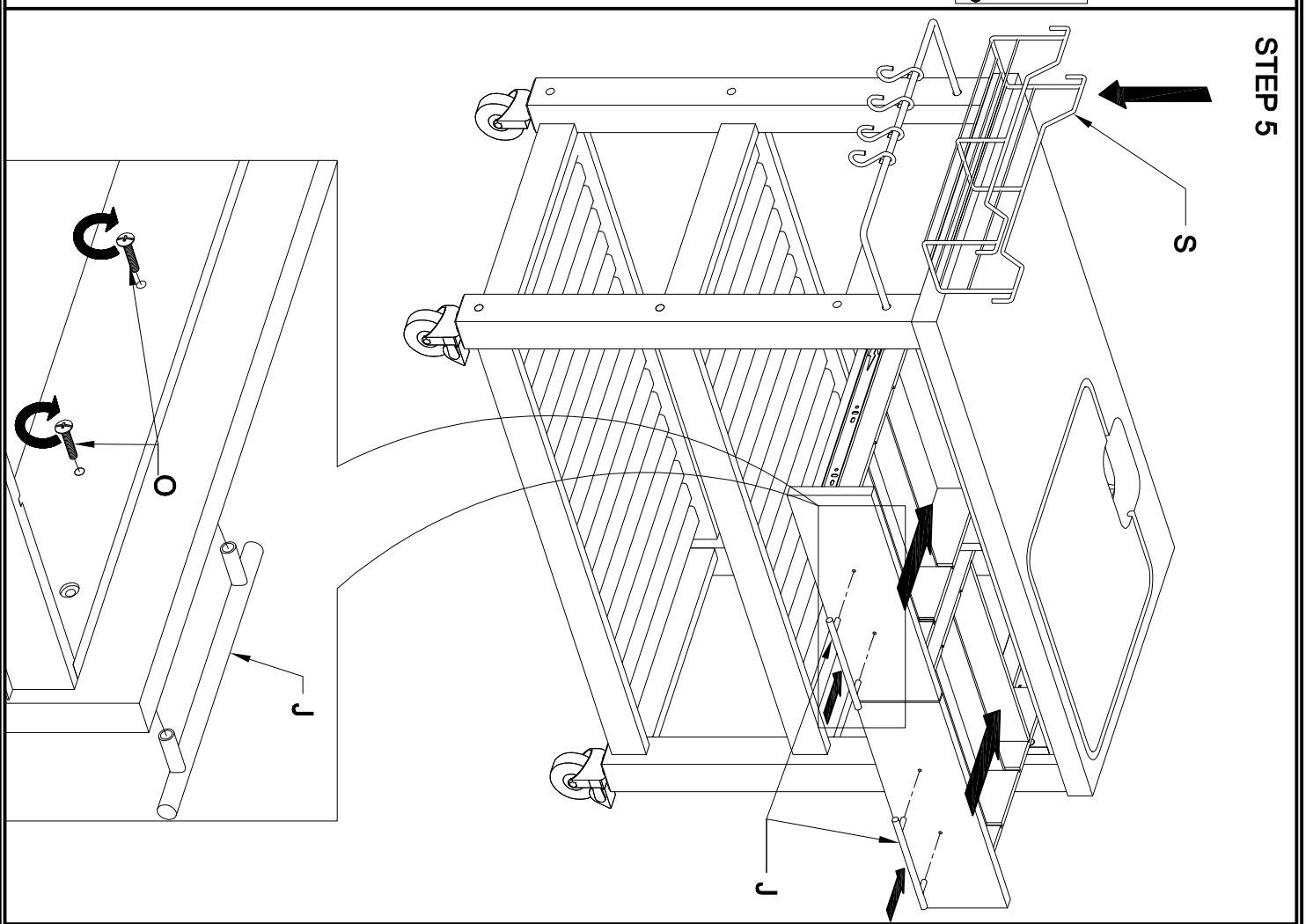
STEP 3



STEP 4



STEP 5



STEP 6

