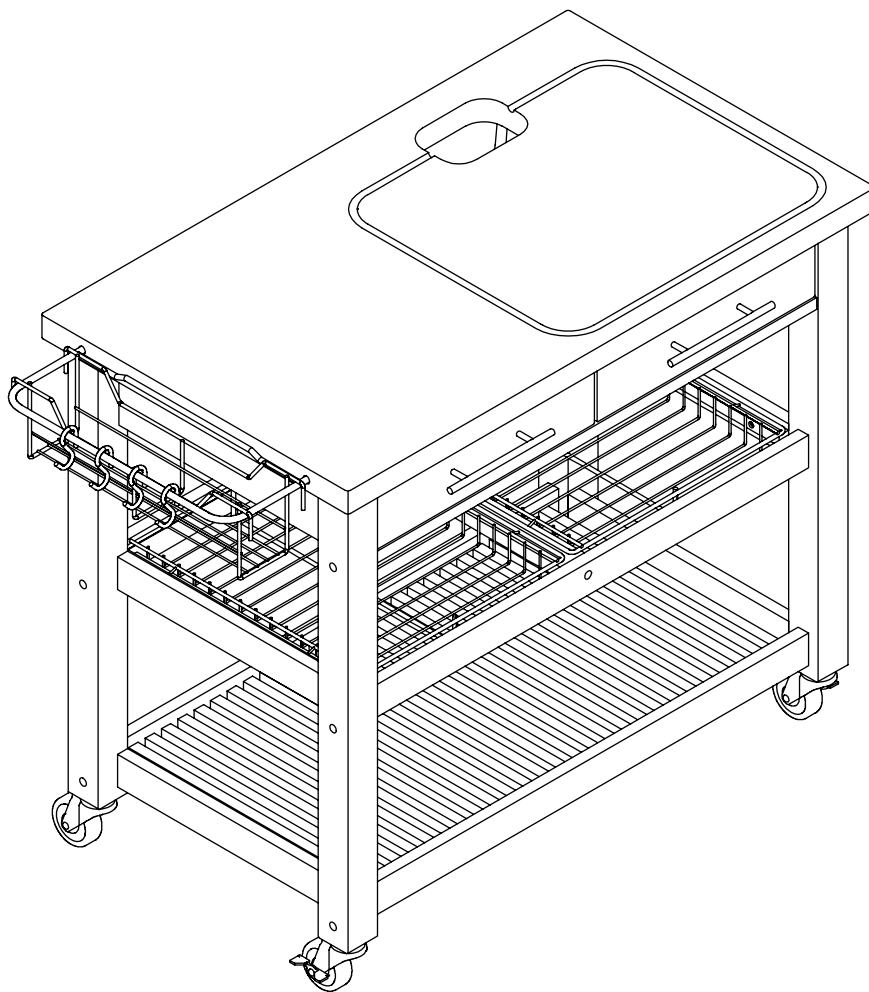


**PRO CHEF “BIG BLOCK” WORKSTATION:
JET9328-T01, JET9329-T01, JET9330-T01, JET11462-T01
INSTRUCTION**

CUSTOMER SERVICE EMAIL:
customerservice@chrisandchrishome.com



Thank you for purchasing the Chris & Chris Pro Chef series kitchen work station. With proper assembly, maintenance, and cleaning, your work station will give you many years of service.

NOTE: IF THERE ARE ANY PARTS MISSING; OR THERE IS SLIGHT SHIPPING DAMAGE TO YOUR UNIT, DO NOT RETURN TO THE STORE. PLEASE CONTACT OUR CUSTOMER SERVICE DEPT. FOR HELP, OR VISIT OUR WEBSITE

FOR MORE INFORMATION REGARDING OUR KITCHEN CART LINE OF PRODUCTS PLEASE REACH OUT TO US:

CUSTOMER SERVICE: Toll free number: 1-800-569-4201

E-MAIL: customerservice@chrisandchrishome.com

WEBSITE: chrisandchrishome.com

ASSEMBLY TIPS: JET9328-T01, JET9329-T01, JET9330-T01, JET11462-T01 PROCHEF "BIG BLOCK" WORKSTATION

TOOLS NEEDED: PHILLIPS HEAD SCREWDRIVER

- Unpack all parts carefully.
- Cover work surface with soft blanket or similar substance so as not to damage the unit or your work surface.

Step 1:

Locate part (Y1) 2 each and (C2) 1 EACH. Assemble with medium bolt (YM) and barrel nut (BN) per step 1 drawing. Put aside for now.

Step 2:

Locate the 4 legs (A) which are identified as (LB) left back, (LF) left front, (RB) right back, and (RF) right front. Assemble (LB) to (LF) using (M) bottom side frame and (E) side shelf frame. Just press together per the drawing in step 2. No bolts are necessary in this assembly. NOTE the shelf bracket on part (E) should face to the inside and be to the top side.

Step 3:

Repeat the same procedure as in step 2 using (RB) and (RF).

Step 4:

Lay the top assembly (TF) upside down on your work surface. Attach the right and left leg assemblies to the top frame (TF) using long bolts (YL) and barrel nuts (BN). Also using the bolt (M) to secure the top frame (TF) from inside to the left leg assembly. NOTE: Attach one side first, to allow for the installation of the pre-assembled shelf support (C) and the bottom slat shelf (B). Secure the pre-assembled shelf support (C) with long bolts (YL) and barrel nuts (BN). Repeat the procedure with the slat shelf (B). Now attach the remaining leg frame by lining up the dowels on top (TF), pre-assembled shelf support (C) and slat shelf (B) with the corresponding holes in the leg frame. Secure with barrel bolts (YL) and barrel nuts (BN).

Step 5:

Install 2 brake wheels (BW) into the threaded brackets on the 2 legs facing the front of the cart and 2 wheels (W) on the 2 legs facing the rear of the cart. Tighten firmly using caster wrench (Q). Slide the 4 "S" Hooks (K) on to the towel bar (F) so that the open ends of the hooks are facing outward. Now mount the towel bar (F) into the holes on either end of top frame (TF), you may choose on which side you prefer the towel bar to be mounted. Secure the towel bar in place using short bolts (SM) with the allen key (RM). Turn the kitchen work station over.

Step 6:

Now install the drawer handle (H) to the drawer using the screws supplied. The drawer handle and screws are mounted on the inside of the drawer for shipping. The speed rack (S) can be set in the towel bar (F) at this time. Install the 2 basket shelves (AS).

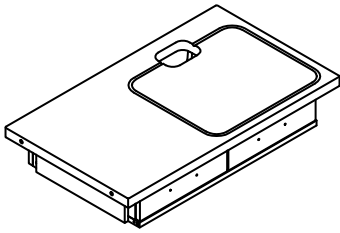
Knife holder (KH) (CAN BE PURCHASED AT WWW.CHRISANDCHRISHOME.COM) will fit on top of the speed rack for use and in the drawer when not in use.

Step 7:

The chef pan (P) mounts in the back side of the cart and can be interchanged with trash ring (L) by inserting a standard plastic grocery bag up through the center of the trash ring (L) and wrapping it over the edges of the ring and sliding it into the chef pan glides. (G) the tablet and phone holder can be used to hold your tablet or phone upright hands free while you work so you can easily follow your favorite recipes. Use wood plugs (WP) to cover the bolt holes in the legs and wood Plugs (NP) to cover the 2 remaining hole in the top.

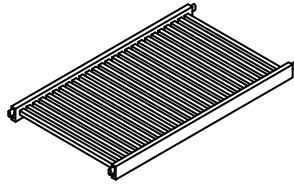
Part Identification

TF. TOP AND DRAWER ASSEMBLY



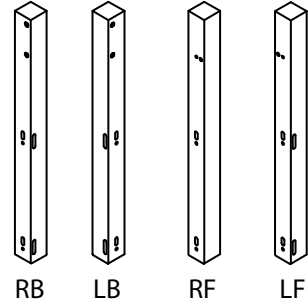
1-EACH

B. WOODEN SLAT SHELF



1-EACH

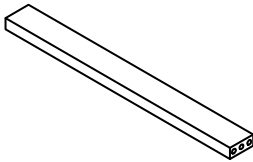
A. LEG



RB LB RF LF

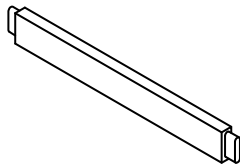
4-each

C2



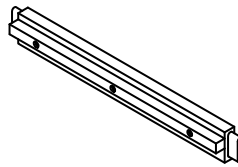
1-EACH

M. BOTTOM SIDE FRAME



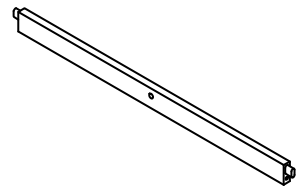
2-EACH

E. SIDE SHELF FRAME



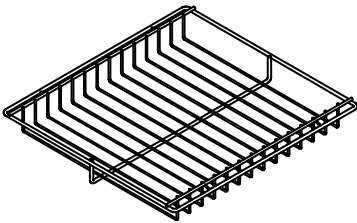
2-EACH

Y1.BEAM SUPPORT RAIL



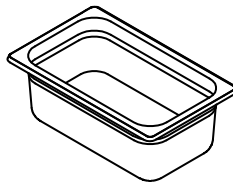
2-EACH

AS.BASKET



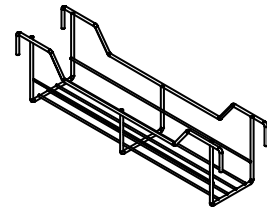
2-EACH

P.CHEF PAN



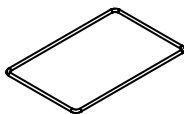
1-EACH

S.SPEED RACK



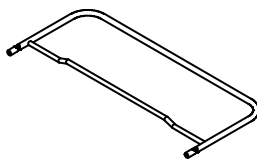
1-EACH

L.TRASH RING



1-EACH

F.TOWEL BAR



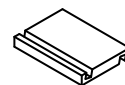
1-EACH

K."S" HOOK



4-EACH

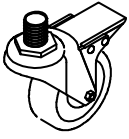
G.TABLET HOLDER



1-EACH

Hardware Identification

BW.BRAKE WHELL



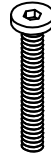
2-EACH

W. WHELL



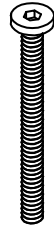
2-EACH

YM.MEDIUM BOLT



2-EACH

YL.LONG BOLT



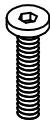
10-EACH

SM.SHORT BOLT



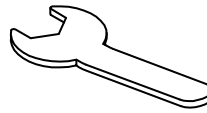
2-EACH

M.BOLT



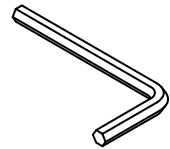
4-EACH

Q.WRENCH



1-EACH

RM.ALLEN KEY



1-EACH

BN.BARREL NUT



12-EACH

NP.NATURAL
WOODEN PLUG



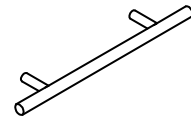
2-EACH

O.BOLT



4-EACH

H.HANDLE



2-EACH

OIL



1-EACH

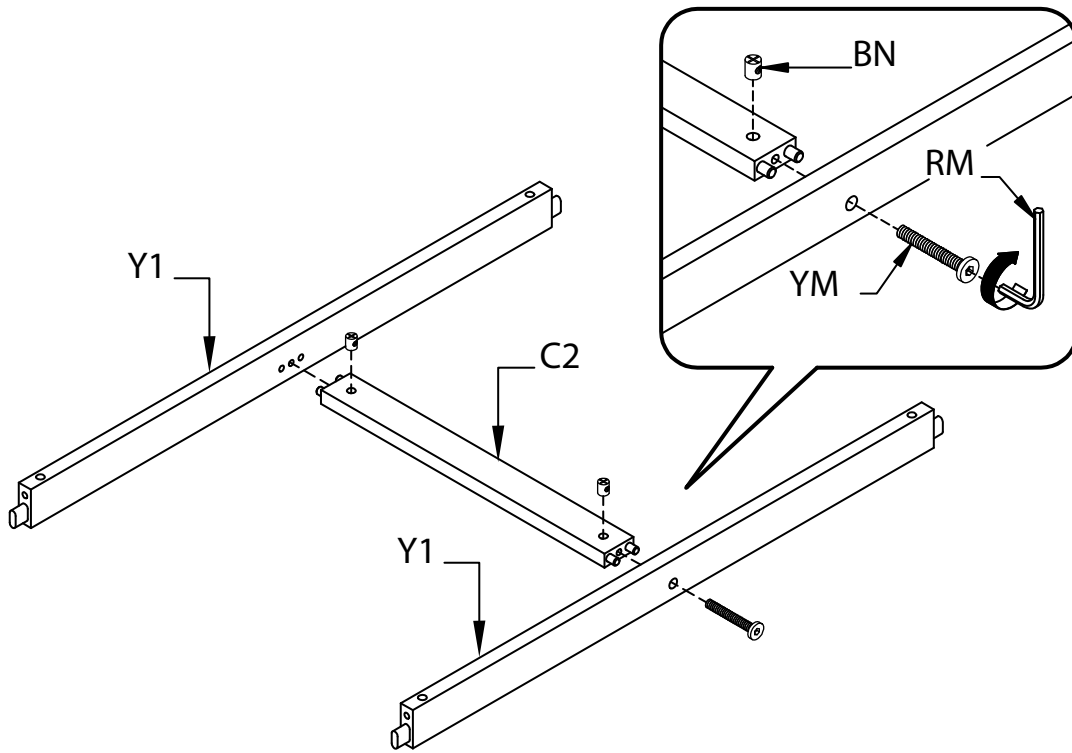
WP.WOODEN PLUG



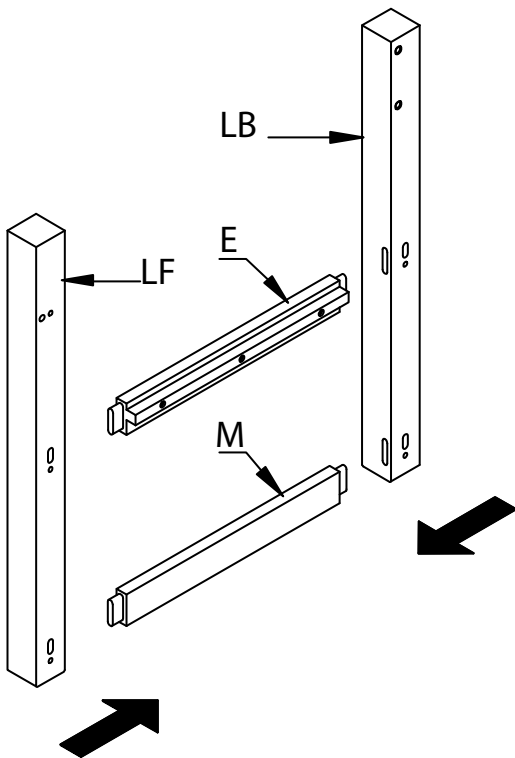
12-EACH

ASSEMBLY STEP

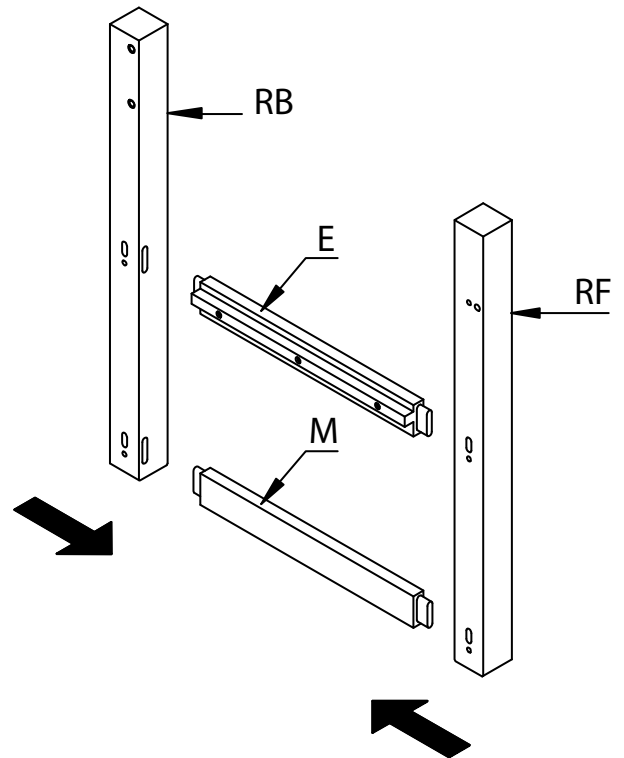
STEP 1



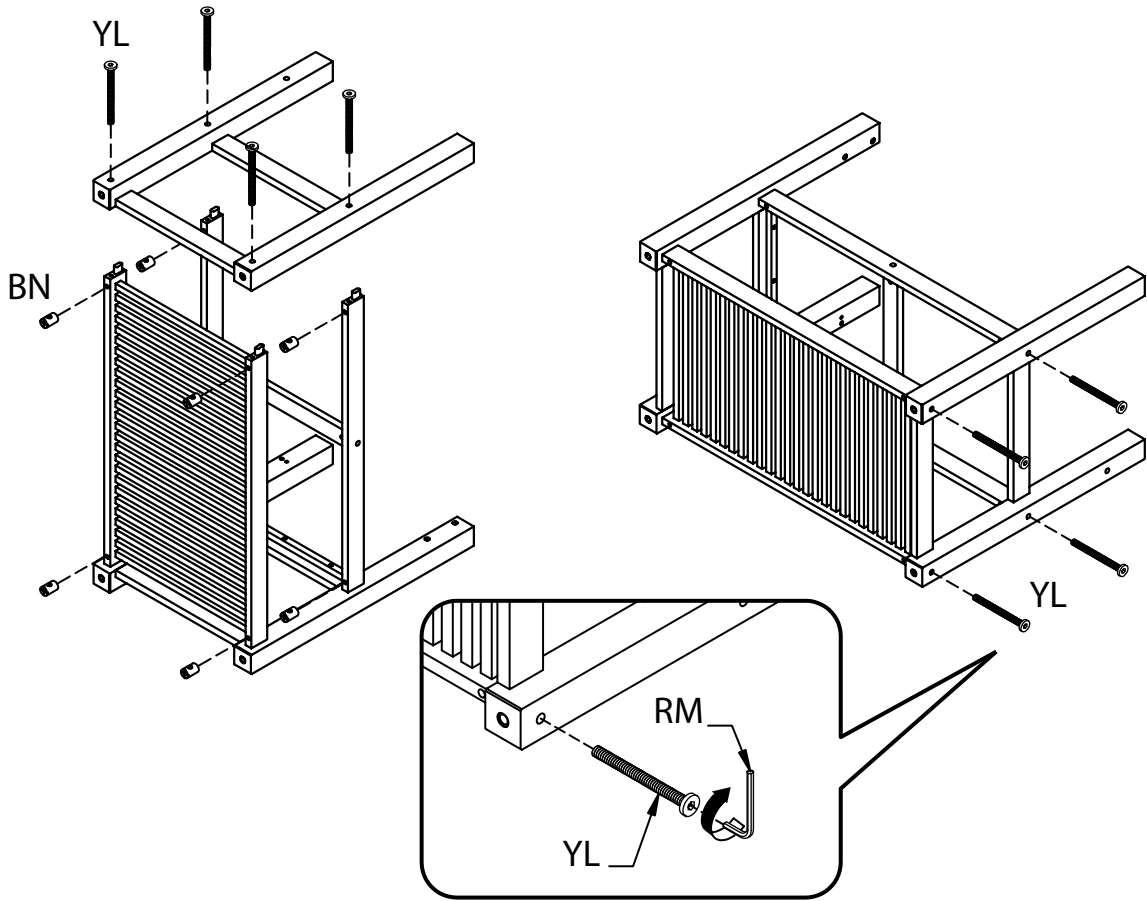
STEP 2



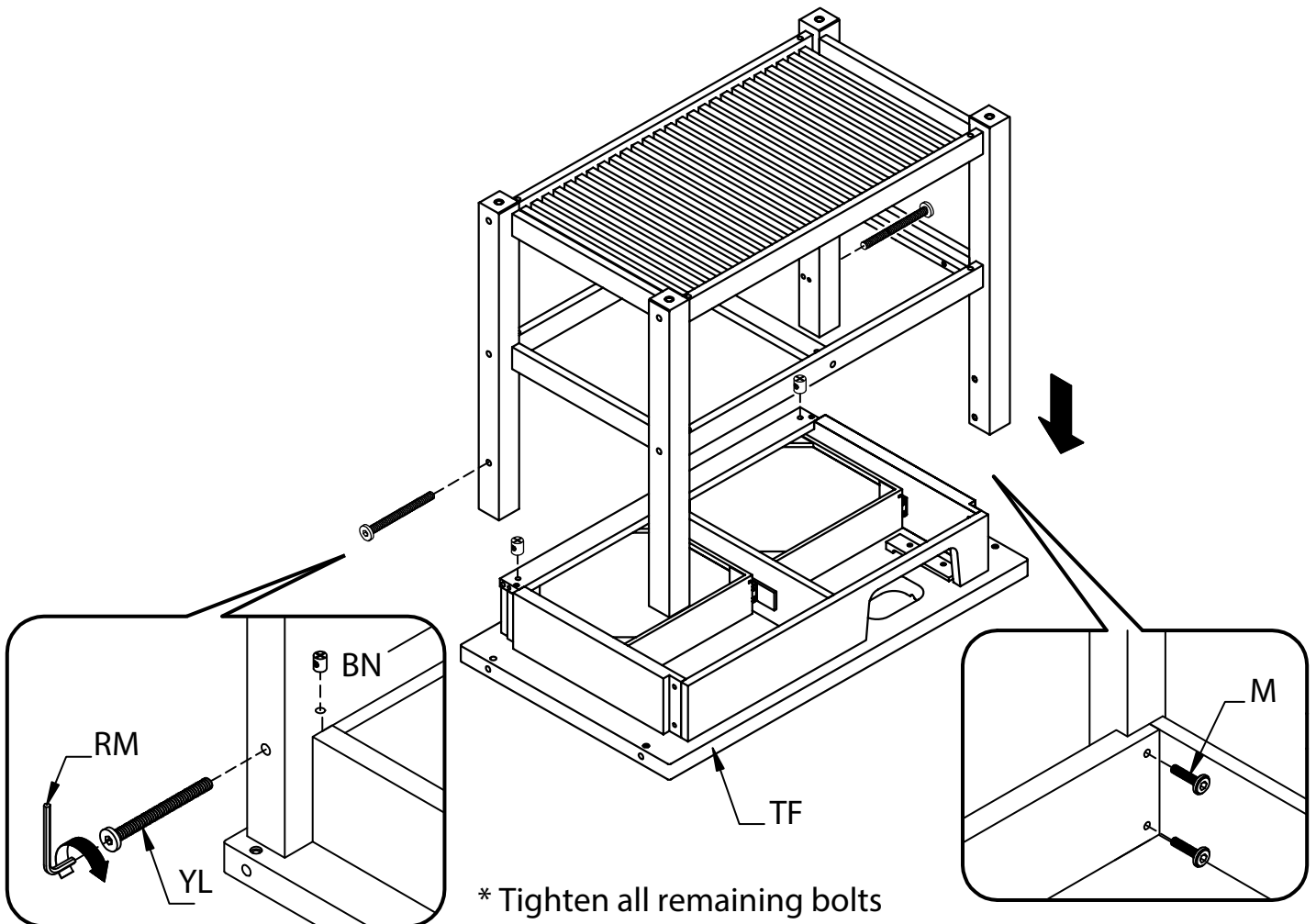
STEP 3



STEP 4

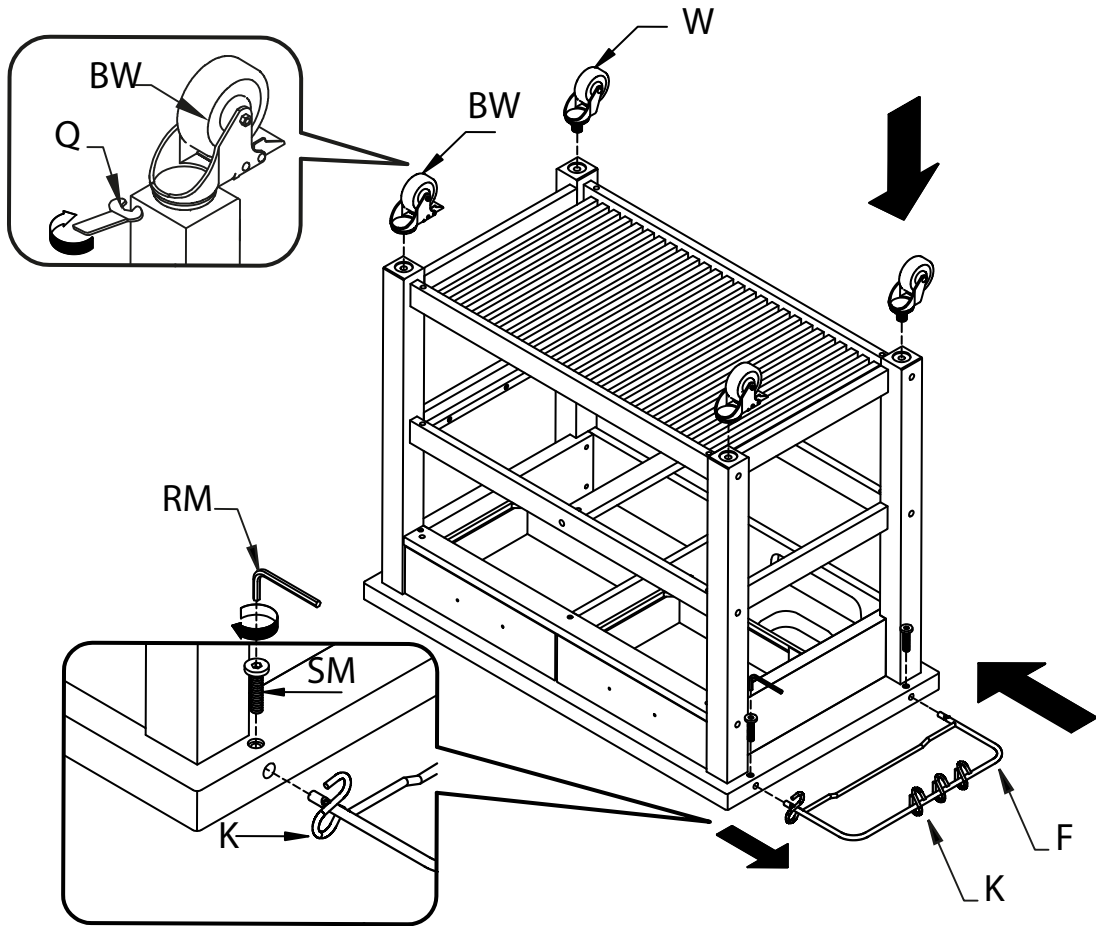


Do not firmly tighten the screw!

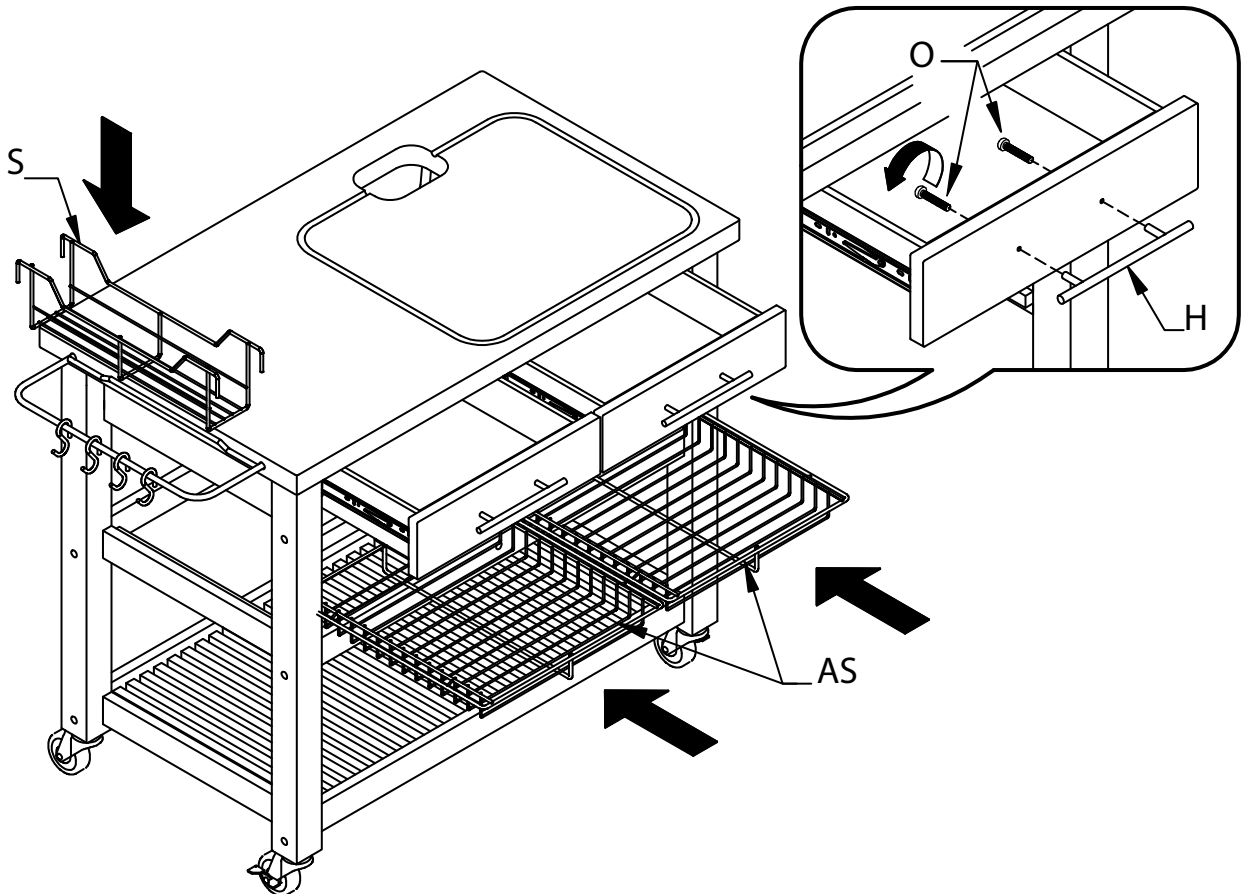


* Tighten all remaining bolts that were previously loosely fastened.

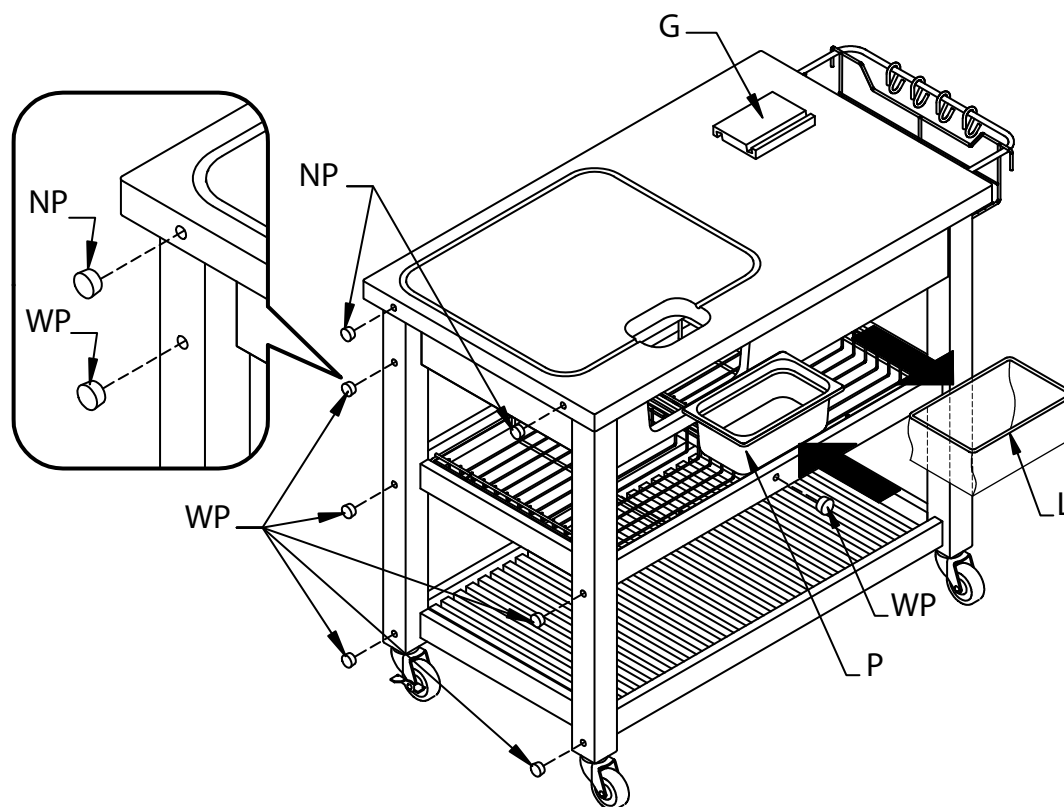
STEP 5



STEP 6



STEP 7



CARE AND MAINTENANCE FOR "CHIRS & CHRIS" BUTCHER BLOCK SURFACES

VISIT CHRISANDCHRISHOME.COM FOR OFFICIAL BLOCK OIL; ENGINEERED FOR CHRIS & CHRIS BUTCHER BLOCK TOPS FOR OPTIMAL CARE AND LONGEVITY.

THE SURFACE OF THE BLOCK SHOULD BE TREATED BEFORE USE WHEN NEW AND PERIODICALLY THEREAFTER WITH A "FOOD GRADE" MINERAL OIL (BLOCK OIL) TO HELP PREVENT BACTERIAL PENETRATION AND TO ALLOW FOR EASY CLEAN UP.

DO NOT ALLOW MOISTURE OF ANY KIND TO STAND ON WOOD SURFACE FOR LONG PERIODS OF TIME.

BUTCHER BLOCK SURFACE SHOULD BE THOROUGHLY CLEANED AFTER EACH USE WITH A WELL WRUNG, MOIST SOAPY TOWEL, CLOTH, OR ANTIBACTERIAL WIPE. AVOID THE USE OF HARSH CHEMICALS OR ABRASIVE MATERIALS TO CLEAN THE SURFACE OF THE BUTCHER BLOCK AS THESE MAY HARM THE NATURAL WOOD SURFACE.

BE SURE THAT THE WOOD SURFACE IS DRIED COMPLETELY AFTER USE AND / OR CLEANING TO PREVENT WARPING, CRACKING, AND SEPARATION

Customize the look!

Visit chrisandchrishome.com/shop to accessorize your kitchen work station. Available items:



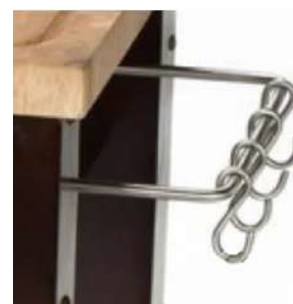
SPEEDRACK



PAPER TOWEL HOLDER



KNIFE HOLDER



TOWEL BAR & "S" HOOK