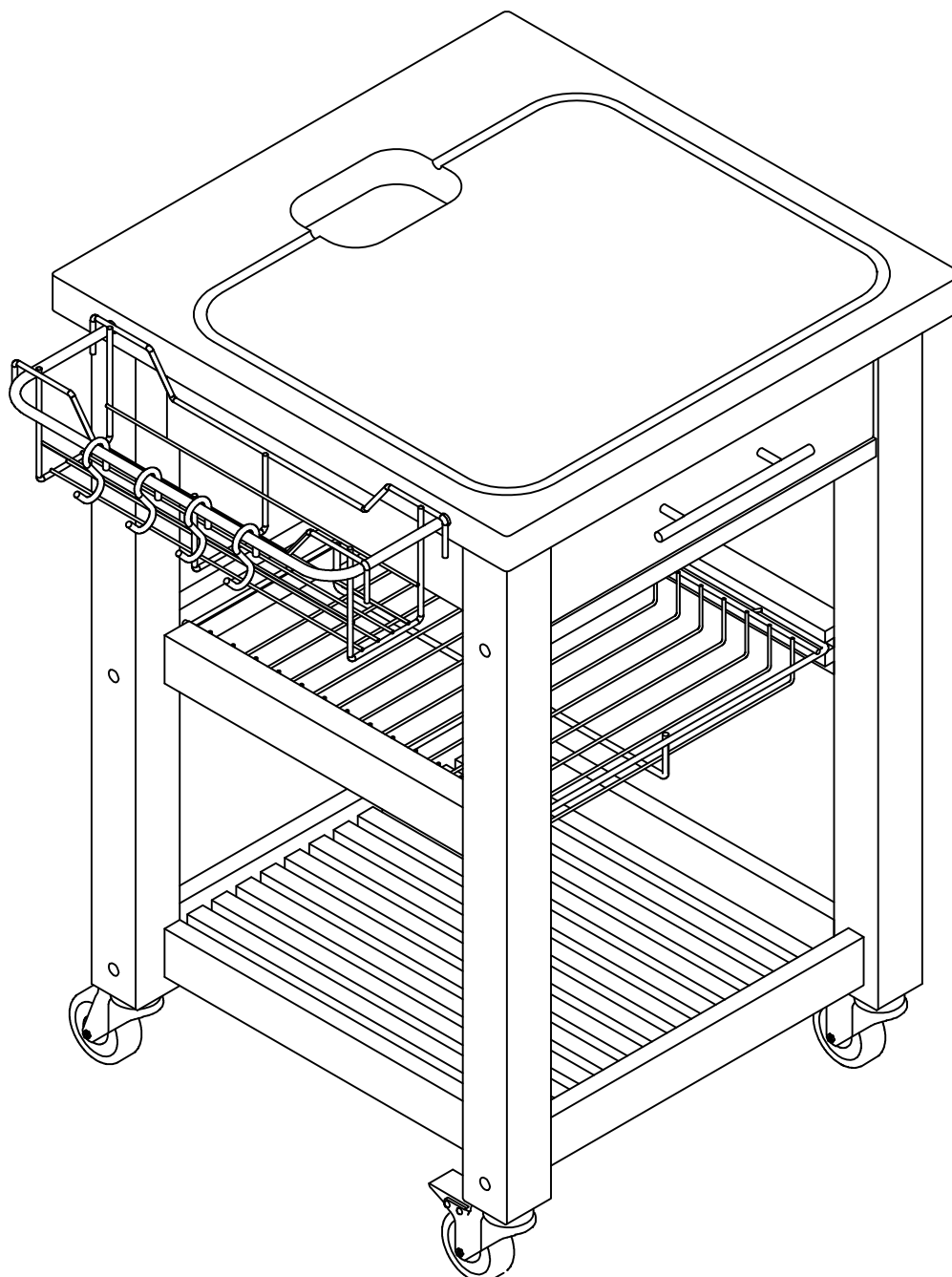


PRO CHEF KITCHEN CART JET 1225+1226+3187

ASSEMBLY INSTRUCTION

Customer Service Email:
customerservice@chrisandchrishome.com



JETRICH CANADA LTD: 3270 Orlando Dr., Mississauga, Ontario, L4V 1C6, CANADA

Thank you for purchasing the Chris & Chris Chef series kitchen work station.

With proper assembly, maintenance, and cleaning, your work station will give you many years of service.

NOTE: IF THERE ARE ANY PARTS MISSING; OR THERE IS SLIGHT SHIPPING DAMAGE TO YOUR UNIT, DO NOT RETURN TO THE STORE. PLEASE CONTACT OUR CUSTOMER SERVICE DEPT. FOR HELP, OR VISIT OUR WEBSITE FOR FURTHER INFORMATION

CUSTOMER SERVICE: TOLL FREE NUMBER: 1-800-569-4201

E-MAIL: john@interiorsourcing.com

WEBSITE: chrisandchrishome.com

ASSEMBLY TIPS: JET1225, JET1226, JET3187“PRO CHEF” WORK STATION

TOOLS NEEDED: PHILLIPS HEAD SCREWDRIVER

- Unpack all parts carefully.
- Cover work surface with soft blanket or similar substance so as not to damage the unit or your work surface.

Step 1

Locate the 4 legs (N) which are identified as (LB) left back, (LF) left front, (RB) right back, and (RF) right front. Assemble (LB) to (LF) using (T) bottom side frame and (E) side shelf frame. Just press together per the drawing in step 1. No bolts are necessary in this assembly. NOTE the shelf bracket on part (E) should face to the inside and be to the top side.

Step 2

Repeat the same procedure as in step 1 using (RB) and (RF)

Step 3

Lay the top assembly (A) upside down on your work surface. Attach the right and left leg assemblies to the top Frame (A) using long bolts (YL) and barrel nuts (BN) and short bolt (M) NOTE: Attach one side first, to allow for the installation of shelf frame (D) and the bottom slat shelf (C). Secure the shelf support (D) with long bolts (YL) and barrel nuts (BN). Repeat the procedure with bottom slat shelf (C)

Step 4

Now attach the remaining leg frame by lining up the dowels on top (A), Shelf support (D), and slat shelf (C) with the corresponding holes in the leg frame. Secure with long bolts (YL) and (M) and barrel nuts (BN).

Step 5

Install 2 brake wheels (BW) into the threaded brackets on the 2 legs facing the front of the cart and 2 wheels (W) on the 2 legs facing the rear of the cart. Tighten firmly using caster wrench (Q).

Step 6

Slide the 4 “S” Hooks (K) on to the towel bar (F) so that the open ends of the hooks are facing outward. Now mount the towel bar (F) into the holes on either end of top frame (A). You may choose on which side you prefer the towel bar to be mounted. Secure the towel bar in place using bolts (SM) The speed rack (S) can be set in the towel bar (F) at this time. Install the basket shelf (AS).

Step 7

Chef Pan (P) can be inserted in the slides on the underside of the back of the cart.

Step 8

The chef pan (P) can be interchanged with trash ring (L) by removing drawer chef pan (P), inserting a standard plastic grocery bag up through the center of the trash ring (L), and sliding it into the slides on the back of top (A)

Step 9

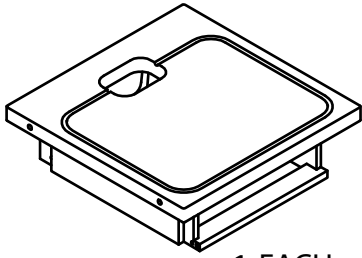
Knife holder (KH) will fit on top of the speed rack for use and in the drawer when not in use.

NOTE: Use wood plugs (WP) to cover the bolt holes and (NP) to cover the open holes in the top

Congratulations, your Pro Chef work station is ready for action

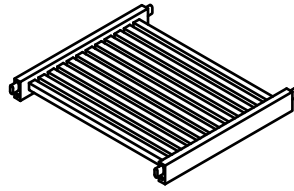
Part Identification

A.TOP FRAME



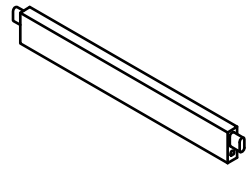
1-EACH

C.BOTTOM SLAT SHELF



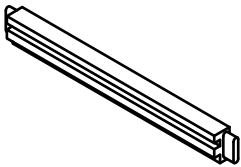
1-EACH

D.SHELF SUPPROT



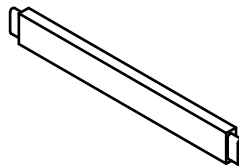
1-EACH

E.SIDE SHELF FRAME



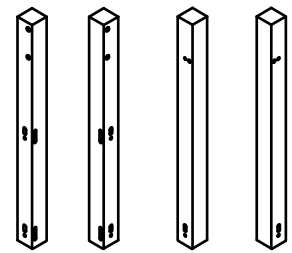
2-EACH

T. BOTTOM SIDE FRAME



2-EACH

N.LEG



RB

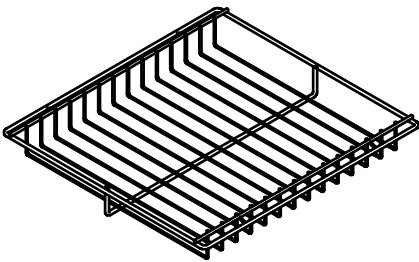
LB

RF

LF

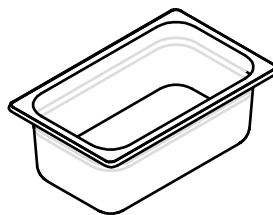
4-EACH

AS.BASKET



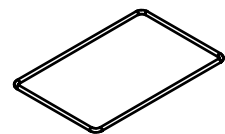
1-EACH

P.CHEF PAN



1-EACH

L.TRASH RING



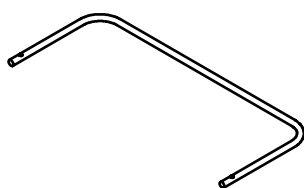
1-EACH

K. "S"HOOK



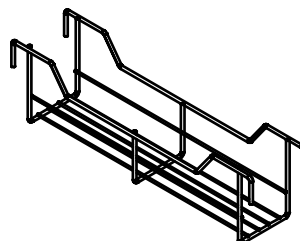
4-EACH

F.TOWEL BAR



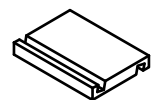
1-EACH

S. SPEED RACK



1-EACH

G.TABLET HOLDER



1-EACH

Hardware Identification

BW.BRAKE WHELL



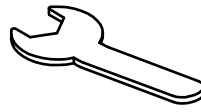
2-EACH

W. WHELL



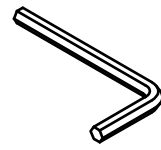
2-EACH

Q.WRENCH



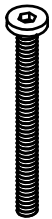
1-EACH

RM.ALLEN WHELL



1-EACH

YL.LONG BOLT



8-EACH

M.SHORT BOLT



4-EACH

SM.BOLT



2-EACH

BN.BARREL NUT



8-EACH

WP.WOOD PLUG



8-EACH

NP.NATURAL WOOD PLUG



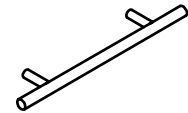
2-EACH

HB.BOLT



2-EACH

H.HANDLE



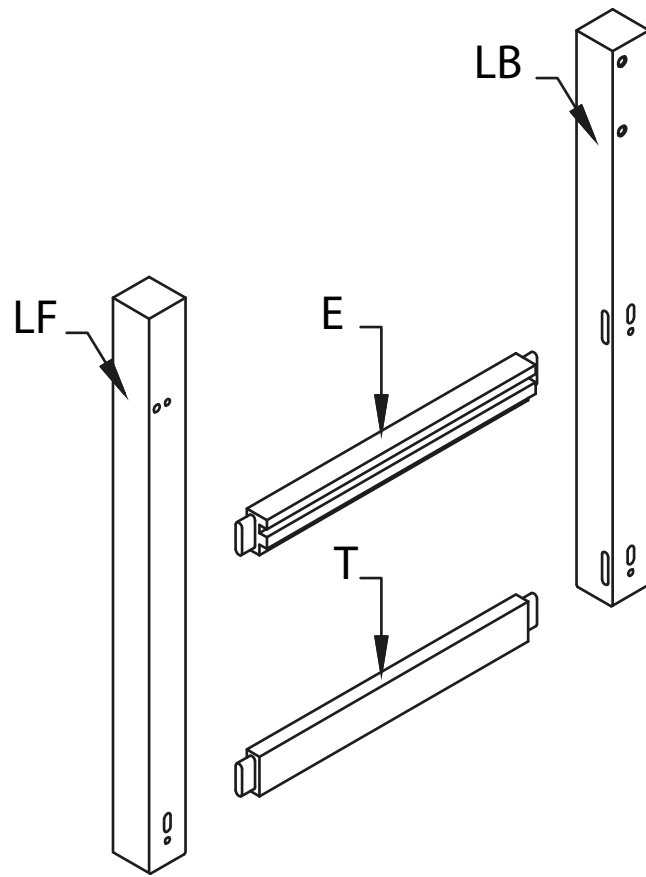
1-EACH

OIL

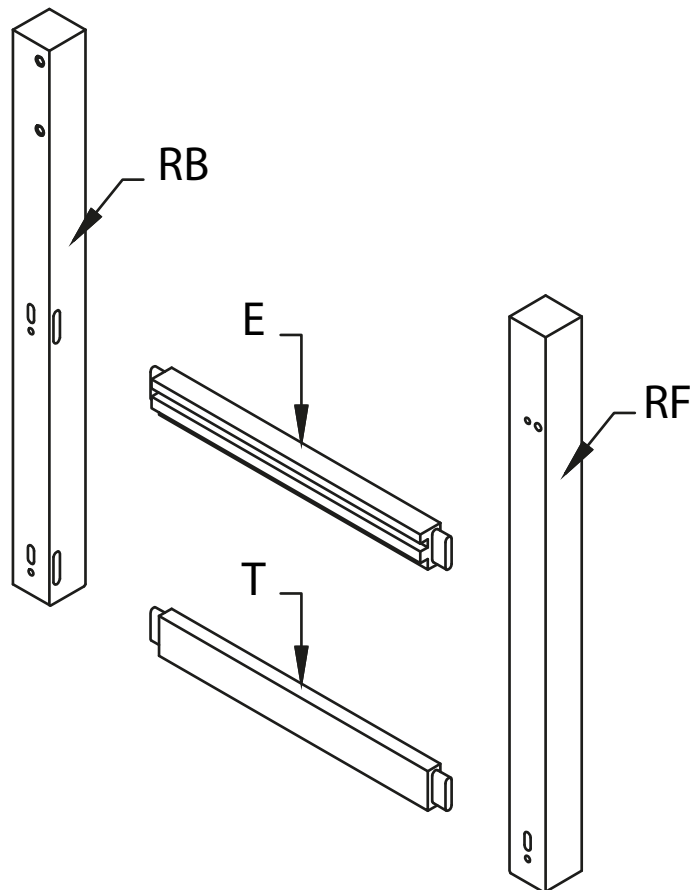


1-EACH

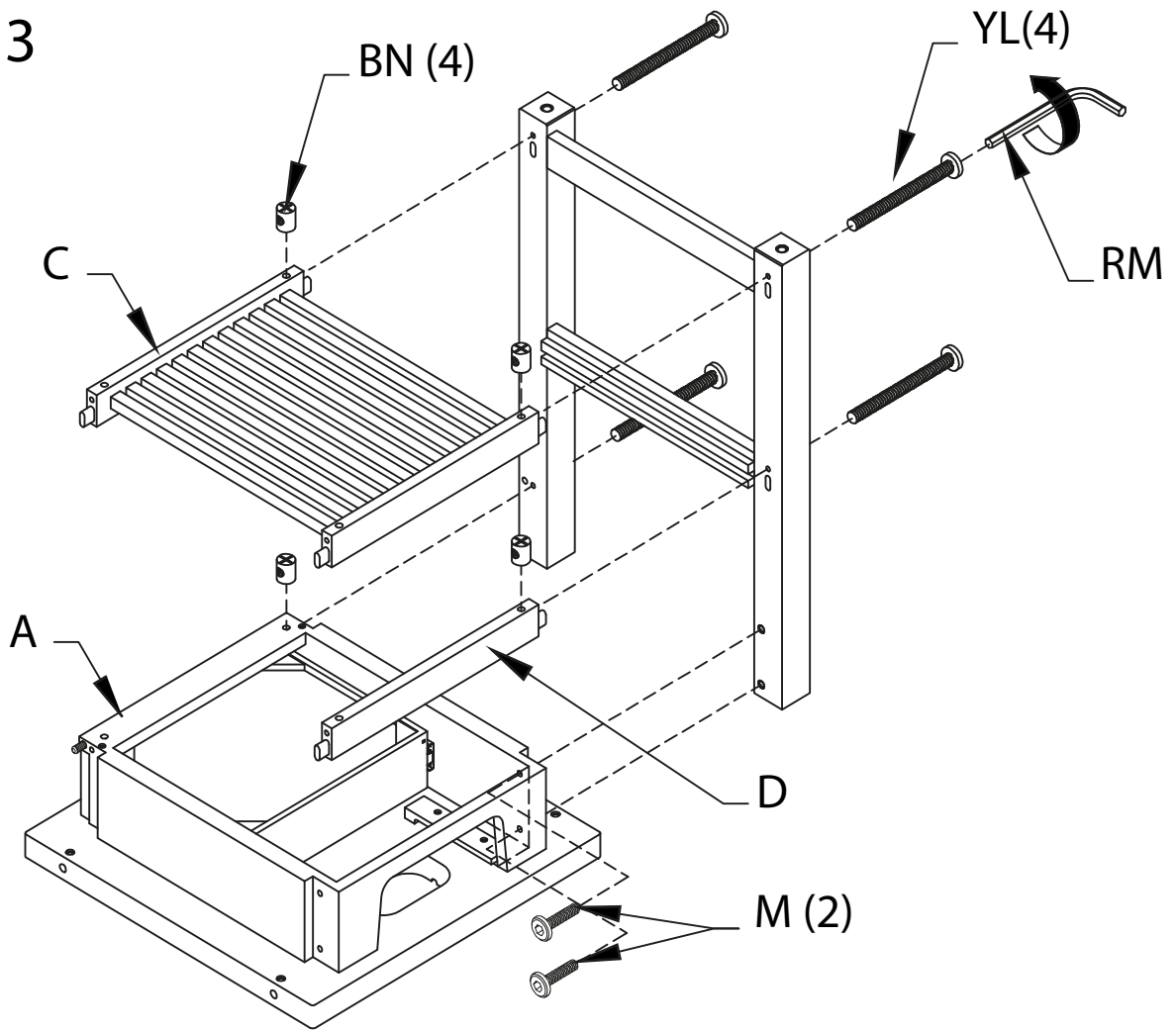
STEP 1



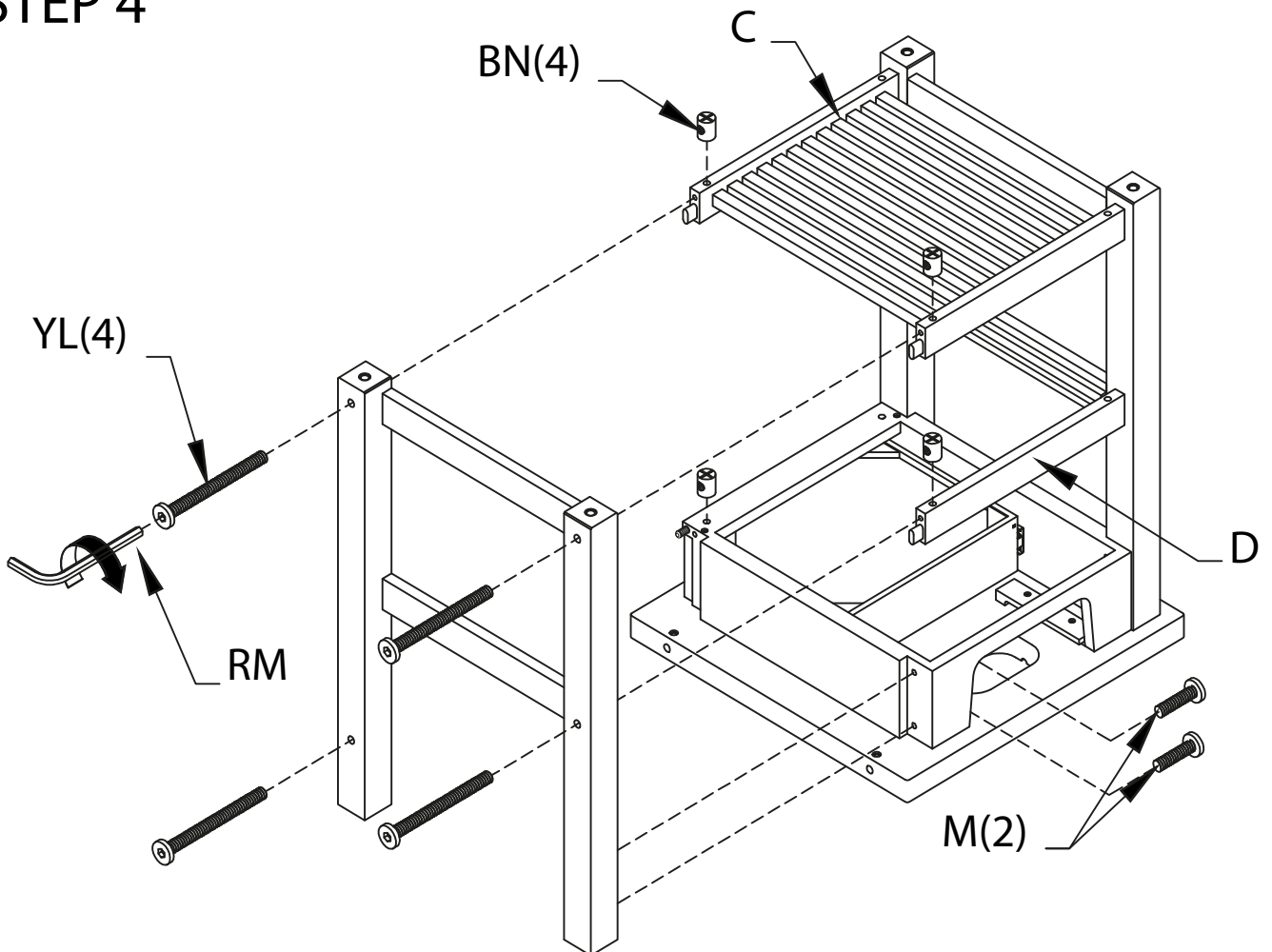
STEP 2



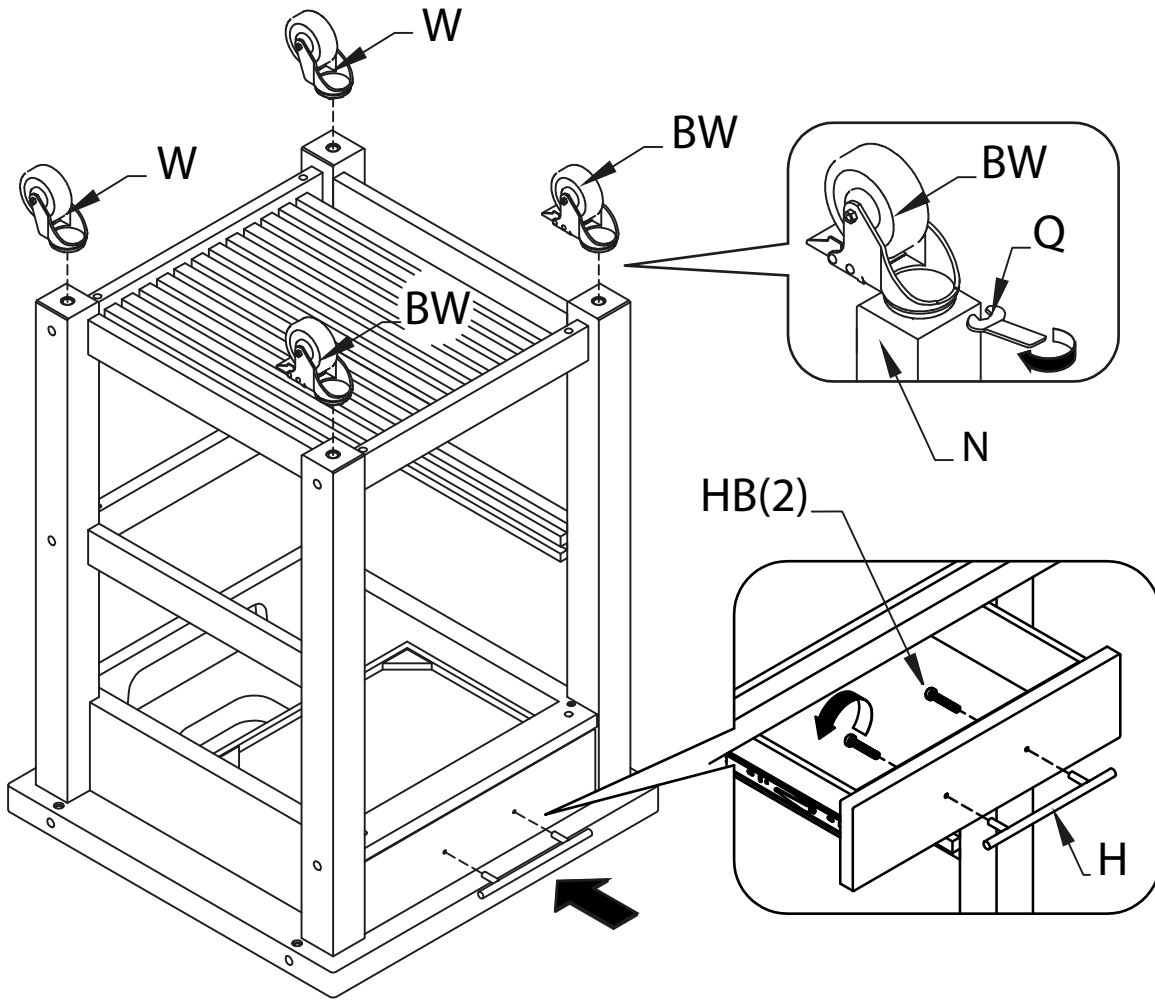
STEP 3



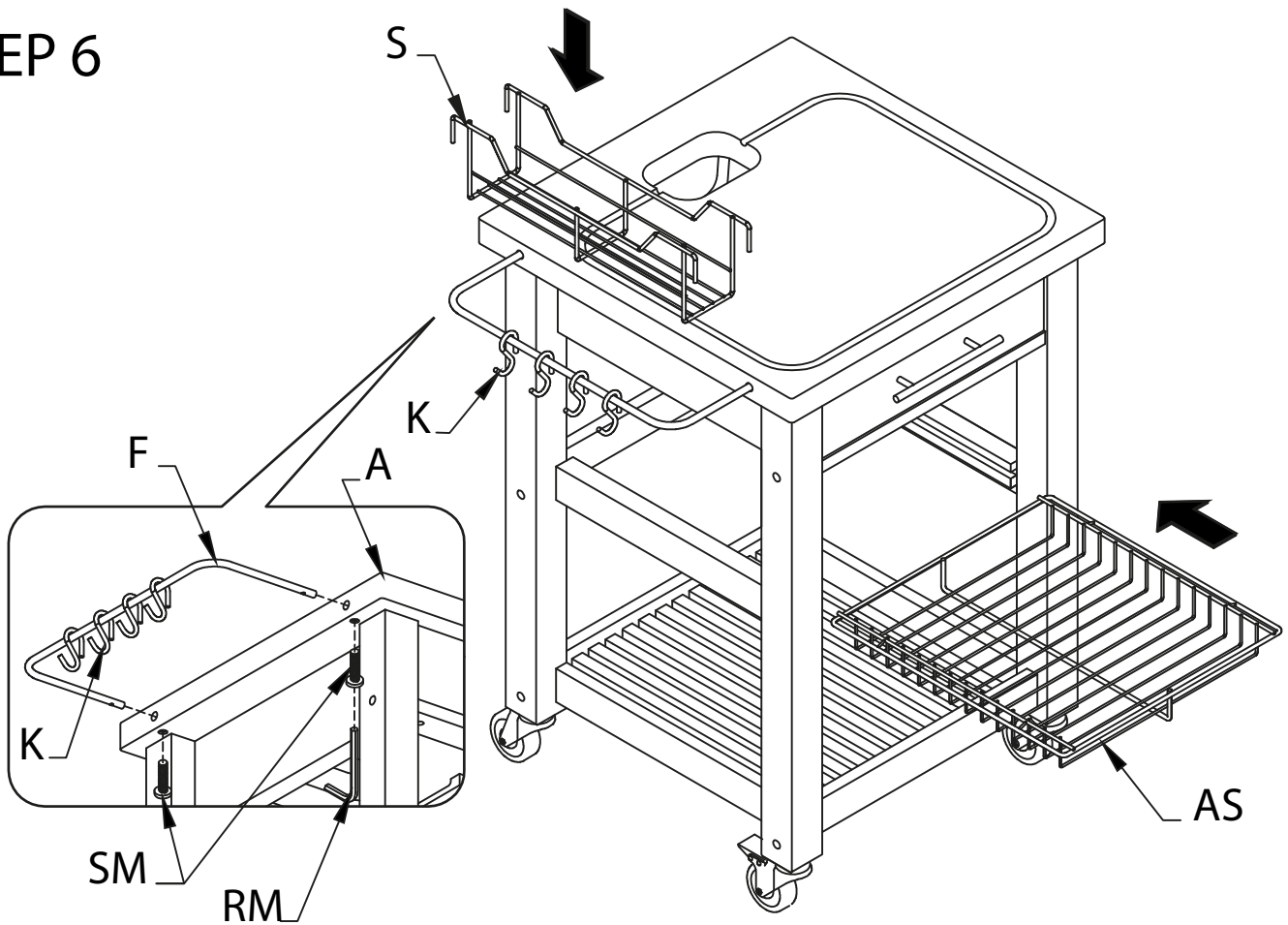
STEP 4



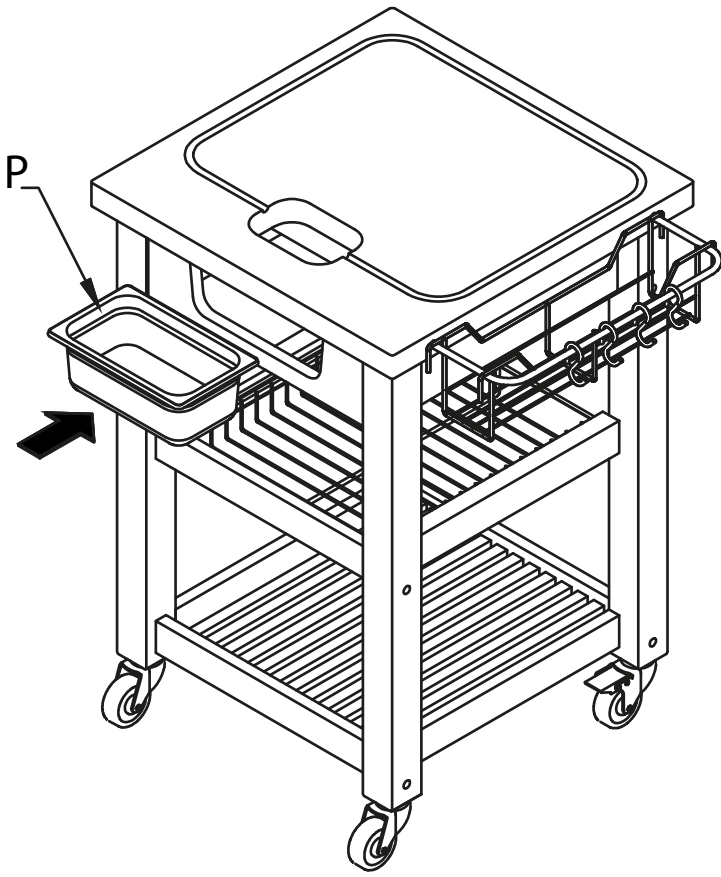
STEP 5



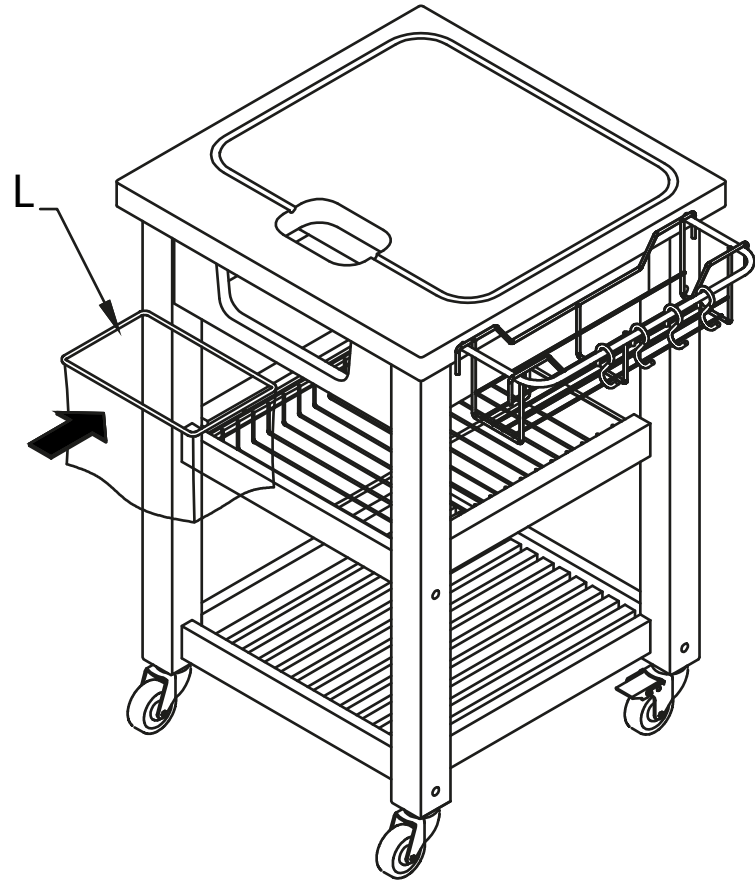
STEP 6



STEP 7



STEP 8



STEP 9

